

EAN: 4057304019630  
[static.hansa.com/45252209](http://static.hansa.com/45252209)



Clinica Hybrid series is giving you a whole new modern design to fit into any bathroom. The long loop lever gives you easy and intuitive operation and with our intelligent touchless functions build into same faucet it also supports hygiene operation without any touch needed.

#### Key Features

- Aerator with laminar flow
- Newest Sensor technology for better detection and operation comfort
- Bluetooth technology for easy adjustment to personalize settings
- Antiscalding protection for Sensor usage

Bluetooth Hybrid faucet with laminar flow aerator.

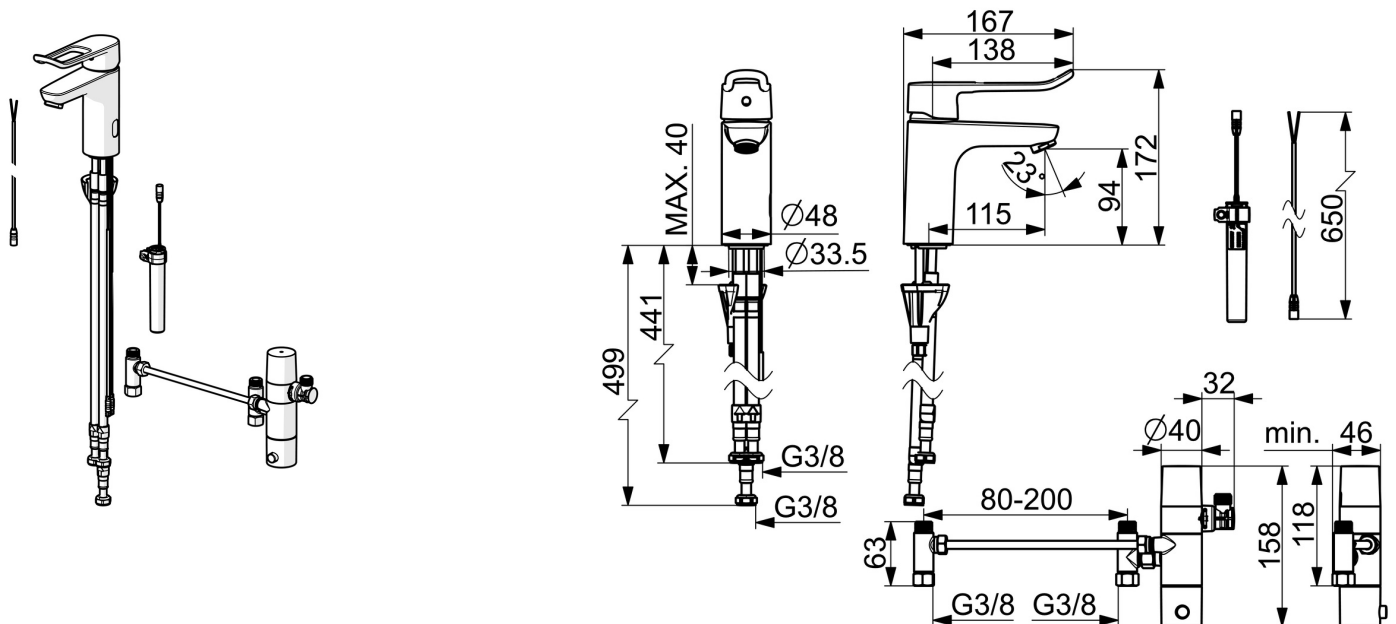
Easy grip temperature lever for good grip and easy adjustment.

SMART intelligent bluetooth sensor with 3 optical lenses for improved performance supported by app connection for personalized and easy adjustment of sensor settings.

Antiscalding protection for Sensor operation.

Easy installation due to fast and easy 3S installation system.

- Health & Care
- Hybrid, Battery-operated, Bluetooth®
- Deck mounted
- Chrome
- Fixed spout
- Laminar stream
- Single operating lever/handle, Loop shape, Hot/Cold symbols
- Limitation option for maximum temperature and flow-rate
- $\phi$  40 mm ceramic cartridge for flow and temperature control
- Advanced PSD sensor, Solenoid valve, Low battery indicator
- Flexible inlet pipes
- Inner body made of DZR brass, Waterways without nickel coating, 3S-installation system for safe and simple mounting, Software settings adjustable via App



## Technical data

### Flow properties

Flow-rate at 3 bar	<b>6.0 l/min</b>
Pressure loss with flow (0.1 l/s)	<b>2.9 bar</b>

### Technical properties

DN-size (nominal dimension)	<b>DN6</b>
Hot water supply	<b>max. +70°C</b>
Working pressure	<b>0.5-10 bar</b>
Connection size	<b>G3/8</b>
Projection	<b>115 mm</b>
Backflow prevention (EN1717)	<b>EB</b>
Material	<b>Brass</b>

### Software settings

Afterflow period	<b>3 s (1-20 s)</b>
Automatic flush	<b>off (off/1-120 h)</b>
Automatic flush period	<b>30 s (1-1800 s)</b>
Max. flow period	<b>10 s (1 - 1800 s)</b>

### Electronic properties

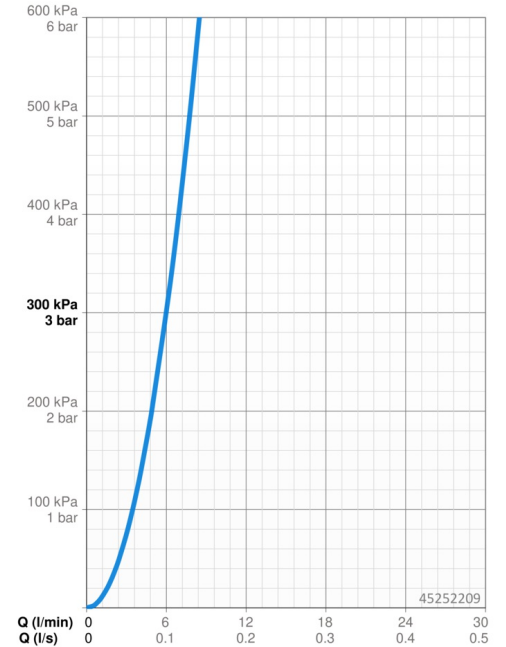
Electrical Connection	<b>3 / 9 V</b>
Battery	<b>AA 1.5 V Lithium x 2</b>
Bluetooth version	<b>5.x (D060576)</b>

### Regulations

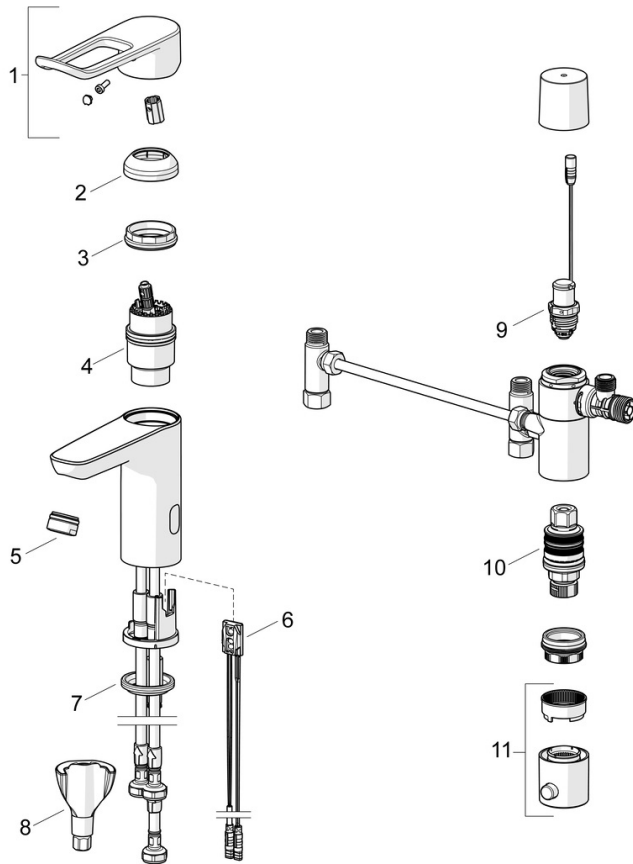
EU Directives	<b>C € Radio Equipment Directive 2014/53/EU , Low Voltage Directive 2014/35/EU , EMC Directive 2014/30/EU , RoHS Directive 2011/65/EU</b>
EN standard	<b>EN 817, EN 15091, ETSI EN 301 489-1 V1.9.2 , ETSI EN 300 328 v2.2.2 , EN 61000-6-1:2007 , EN 61000-6-3:2007+A1:2011+AC:2012 , EN 60335-1:2012+A11+A13+A14+A2+A15:2021, Part 19.11.4</b>
Noise class	<b>I (ISO 3822)</b>
Protection class	<b>IP 55</b>

### Approvals and Declarations

Declaration of conformity	<b>RED</b>
---------------------------	------------



## Spare parts



### SP45252209

	Name	Code
01	Long lever, L=162	59914716
02	Covering cap	59914478
03	Tightening nut, M42x1.5, SW 38	59914128
04	Cartridge, 4.0 Classic	59914129
05	Aerator, M24x1 STD HC, 6 l/min Laminar	59914068
06	Sensor, 3/9 V, Bluetooth	1014212V
07	Bottom seal	59914591
08	Fixing set	59914475
09	Pilot valve, 3 V	59914338
10	Thermostatic cartridge, 3.4	59914114
11	Temperature control handle	602062V
N.I.	Battery, 1.5 V AA Lithium	59914136