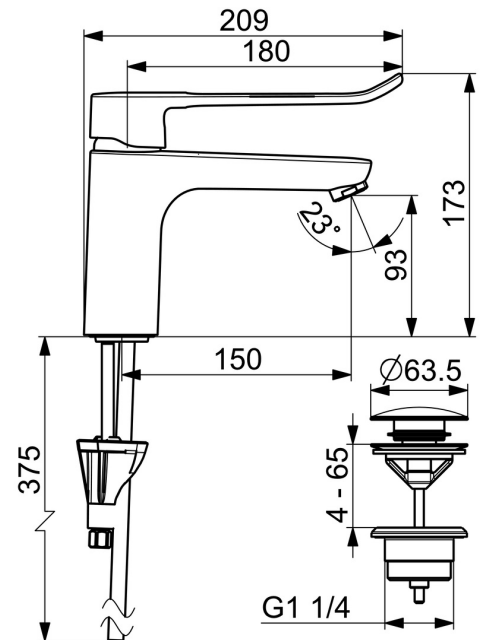
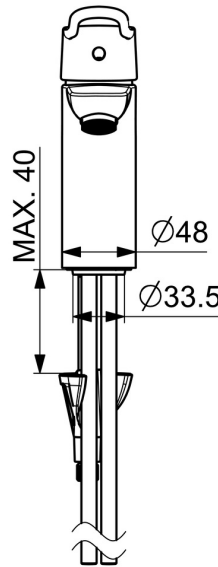
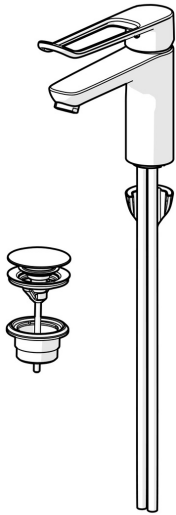


EAN: 4057304018893
static.hansa.com/45222185



HANSACLINICA washbasin faucet. Firm longer loop-lever (180 mm) offers good usability to all users and situations. Fixed longer spout (150 mm) with nickel-free water channels and laminar water flow. In-built limitation options for water temperature and maximum flow-rate. Connection pipes Cu \varnothing 10 mm. With push pop-up waste without draw-rod.

- Washbasin
- Health & Care
- Single-lever
- Deck mounted
- Chrome
- Fixed spout
- Laminar stream
- Single operating lever/handle, Loop shape, Long shape, Hot/Cold symbols
- Push pop-up waste without draw-rod
- Limitation option for maximum temperature and flow-rate, Adjustable hot water stop (included, retrofittable)
- \varnothing 40 mm ceramic cartridge for flow and temperature control
- Copper inlet pipes
- Inner body made of DZR brass, Waterways without nickel coating, 3S-installation system for safe and simple mounting



Technical data

Flow properties

Flow-rate at 3 bar	12.5 l/min
Pressure loss with flow (0.1 l/s)	0.7 bar

Technical properties

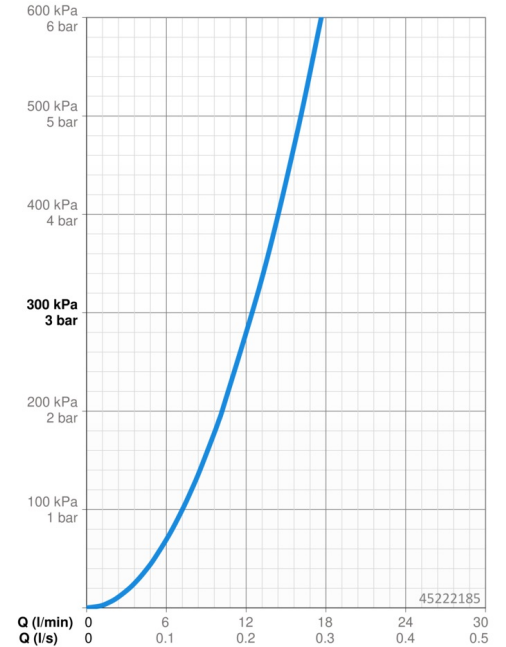
DN-size (nominal dimension)	DN15
Hot water supply	max. +80°C
Working pressure	0.5-10 bar
Connection size	Ø 10 mm
Length / Height	180 mm
Projection	150 mm
Backflow prevention (EN1717)	AA
Material	Brass

Regulations

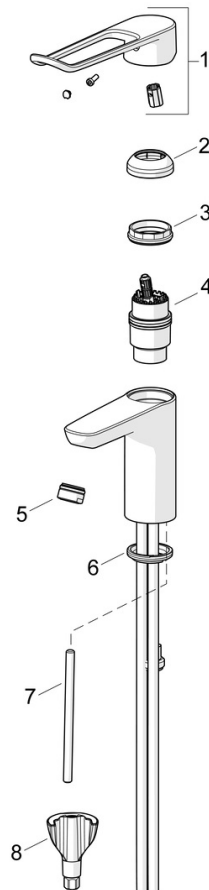
EN standard	EN 817
Noise class	I (ISO 3822)

Approvals and Declarations

DVGW	DW-6506DL0556
ABP	P-IX 29684/IA
Declaration of conformity	DoC
EPD	S-P-06391



Spare parts



SP45012185

	Name	Code
01	Long lever, L=180	45240005
02	Covering cap	59914478
03	Tightening nut, M42x1.5, SW 38	59914128
04	Cartridge, 4.0 Classic	59914129
05	Aerator, M24x1 STD PL HC A Laminar (2013-)	59914054
06	Bottom seal	59914591
07	Fixing screw, M8x1, L=130	59914474
08	Fixing set	59914475