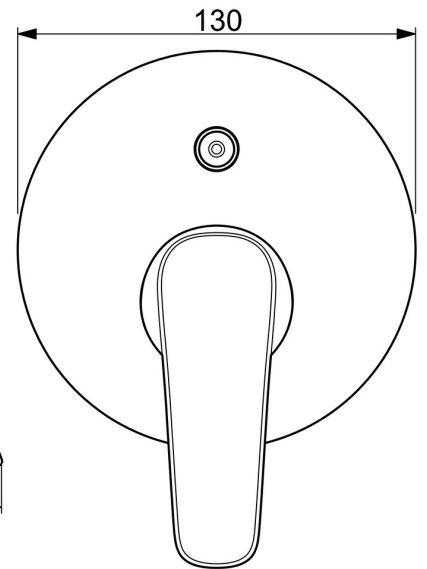
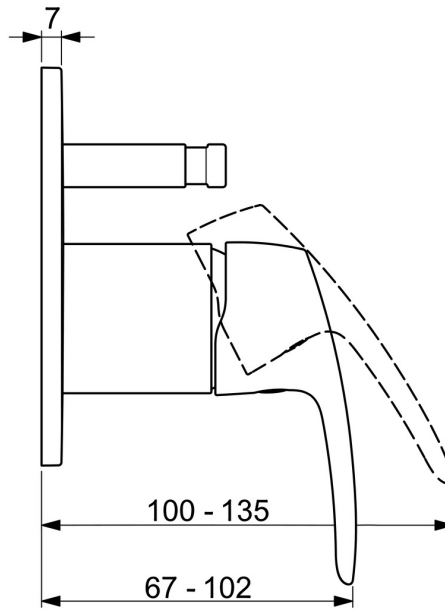
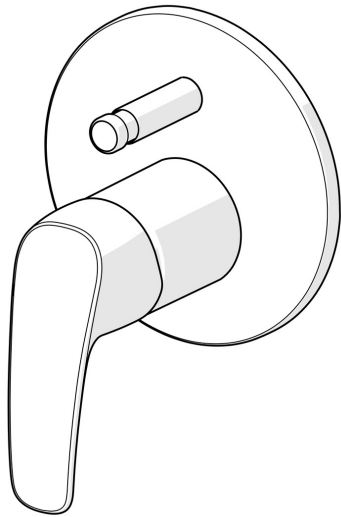


EAN: 4057304011757
static.hansa.com/45169183



- Bathtub & Shower
- Single-lever, Trim Kit
- Concealed wall mounting
- Chrome
- Single operating lever/handle, Hot/Cold symbols
- Push operated diverter
- Limitation option for maximum temperature and flow-rate
- Round rosette



Technical data

Technical properties

Hot water supply	max. +80°C
Working pressure	1-10 bar

Regulations

EN standard	EN 817
-------------	---------------

Approvals and Declarations

Declaration of conformity	DoC
---------------------------	------------

Spare parts

SP45169183

	Name	Code
01	Lever	59914453
02	Cover sleeve Discontinued	59914455
03	Cover plate, d 130 mm	59914741
04	Fixing screw, M36x1.5, SW30 Discontinued	59914538