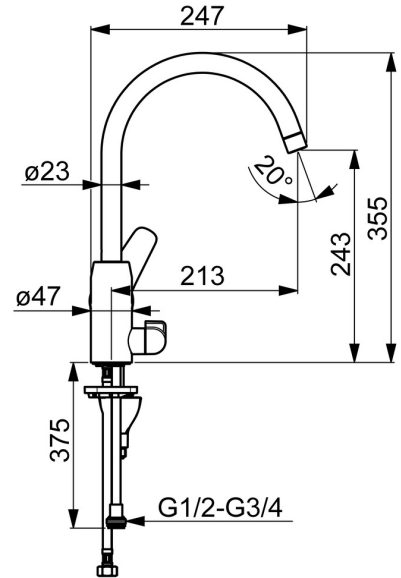
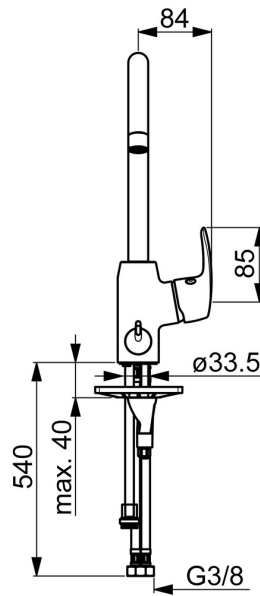
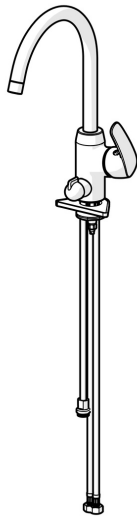


EAN: 4057304003141
static.hansa.com/45142283



- Kitchen
- Single-lever, side operated, Dishwasher valve
- Deck mounted
- Chrome
- Swivel spout, Swivel range limiting option
- Standard aerator
- Mechanic stop valve for external equipment
- Hot/Cold symbols, Single operating lever/handle
- Limitation option for maximum temperature and flow-rate, Adjustable hot water stop (included, retrofittable)
- \varnothing 40 mm ceramic cartridge for flow and temperature control
- Flexible inlet pipes
- 3S-installation system for safe and simple mounting, Inner body made of DZR brass



Technical data

Flow properties

Flow-rate at 3 bar **11.4 l/min**

Technical properties

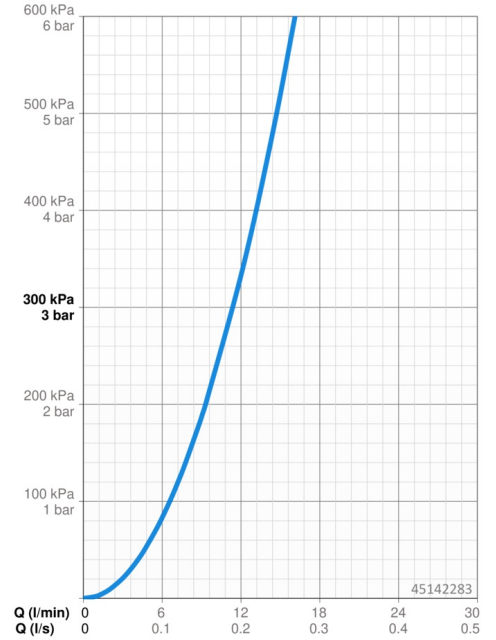
DN-size (nominal dimension) **DN15**
 Hot water supply **max. +70°C**
 Working pressure **0.5-10 bar**
 Connection size **G3/8**
 Projection **213 mm**
 Backflow prevention (EN1717) **AA**
 Material **Brass**

Regulations

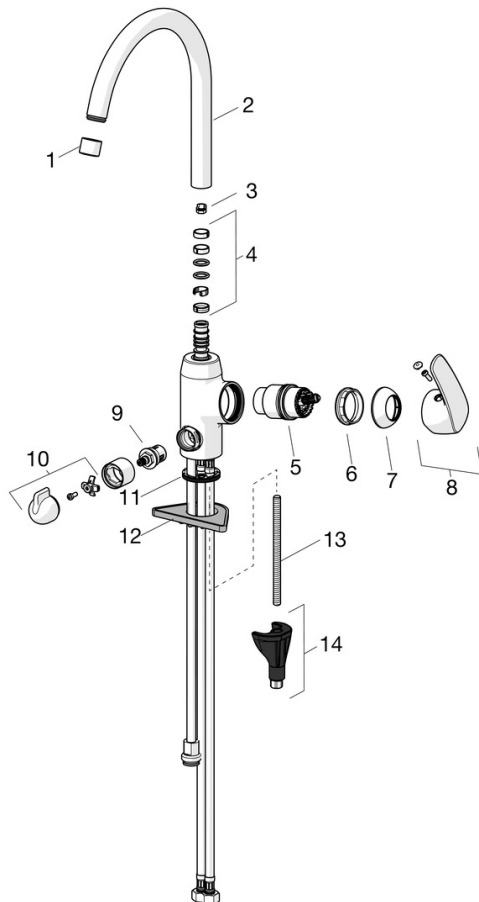
EN standard **EN 817**
 Noise class **I (ISO 3822) Oras lab.**

Approvals and Declarations

DVGW **DW-6506CS0580**
 Declaration of conformity **DoC**
 EPD **S-P-06396**



Spare parts



SP45142283

	Name	Code
01	Aerator, M22x1 STD CC A	59914436
02	High spout, L=208 Discontinued	59914498
03	Spout overturning stopper, 60° / 0°	59914264
03	Spout overturning stopper, 120° Discontinued	59914429
04	Sealing kit	59914263
05	Cartridge, 4.0 Classic	59914129
06	Tightening nut, M42x1.5, SW 38	59914128
07	Covering cap Discontinued	59914454
08	Lever	59914453
09	Headpart, G1/2	59914433
10	Handle for washing machine valve Discontinued	59914715
11	Bottom seal	59914591
12	Supporting plate	59910008
13	Fixing screw, M8x1, L=130	59914474
14	Fixing set	59914475