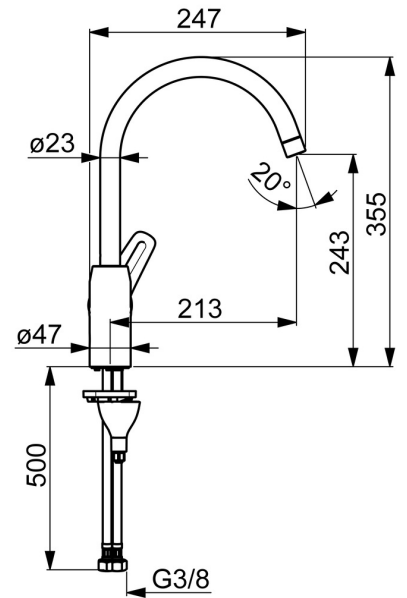
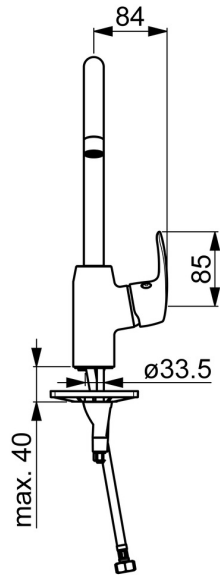
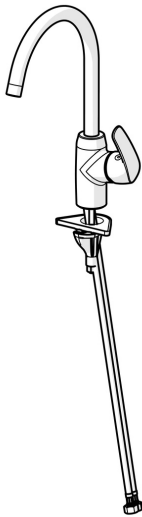


EAN: 4057304003134  
[static.hansa.com/45132283](http://static.hansa.com/45132283)



- Kitchen
- Single-lever, side operated
- Deck mounted
- Chrome
- Swivel spout, Swivel range limiting option
- Standard aerator
- Hot/Cold symbols, Single operating lever/handle
- Limitation option for maximum temperature and flow-rate, Adjustable hot water stop (included, retrofittable)
- $\varnothing$  40 mm ceramic cartridge for flow and temperature control
- Flexible inlet pipes
- 3S-installation system for safe and simple mounting, Inner body made of DZR brass



## Technical data

### Flow properties

Flow-rate at 3 bar **12.6 l/min**

### Technical properties

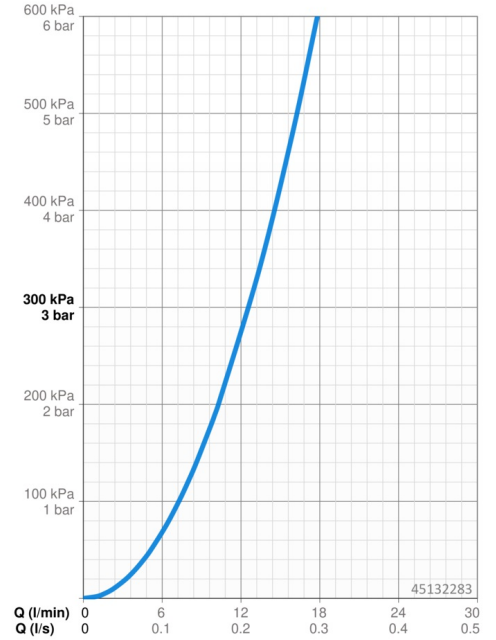
DN-size (nominal dimension) **DN15**  
 Hot water supply **max. +70°C**  
 Working pressure **0.5-10 bar**  
 Connection size **G3/8**  
 Projection **213 mm**  
 Backflow prevention (EN1717) **AA**  
 Material **Brass**

### Regulations

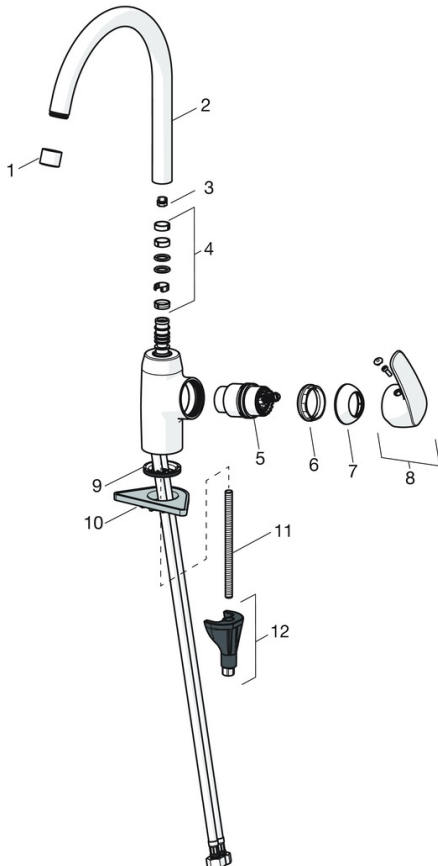
EN standard **EN 817**  
 Noise class **I (ISO 3822) Oras lab.**

### Approvals and Declarations

KIWA **K6116/08**  
 DVGW **DW-6506CS0580**  
 ABP **P-IX 29696/IA**  
 Declaration of conformity **DoC**  
 EPD **S-P-06396**



## Spare parts



### SP45132283

	Name	Code
01	Aerator, M22x1 STD CC A	59914436
02	High spout, L=208 Discontinued	59914498
03	Spout overturning stopper, 60° /0°	59914264
03	Spout overturning stopper, 120° Discontinued	59914429
04	Sealing kit	59914263
05	Cartridge, 4.0 Classic	59914129
06	Tightening nut, M42x1.5, SW 38	59914128
07	Covering cap Discontinued	59914454
08	Lever	59914453
09	Bottom seal	59914591
10	Supporting plate	59910008
11	Fixing screw, M8x1, L=130	59914474
12	Fixing set	59914475