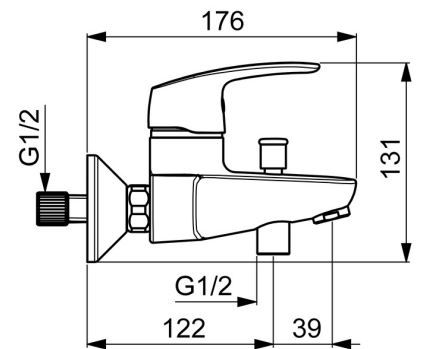
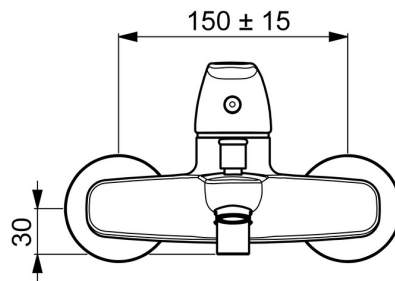
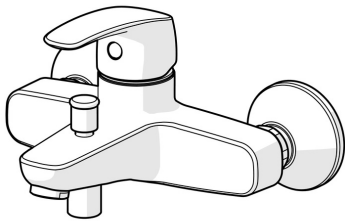


EAN: 4057304003219
static.hansa.com/45112183



- Bathtub & Shower
- Single-lever
- Wall mounted
- Chrome
- Fixed spout
- Standard aerator
- Hot/Cold symbols, Single operating lever/handle
- Push operated diverter
- Limitation option for maximum temperature and flow-rate, Adjustable hot water stop (included, retrofittable)
- Non-return valve(s), \varnothing 40 mm ceramic cartridge for flow and temperature control
- Eccentric coupling(s)
- Inner body made of DZR brass
- protected against back-flow in domestic use (according to DIN EN 1717)



Technical data

Flow properties

Flow-rate at 3 bar **20.4 / 19.2 l/min**

Technical properties

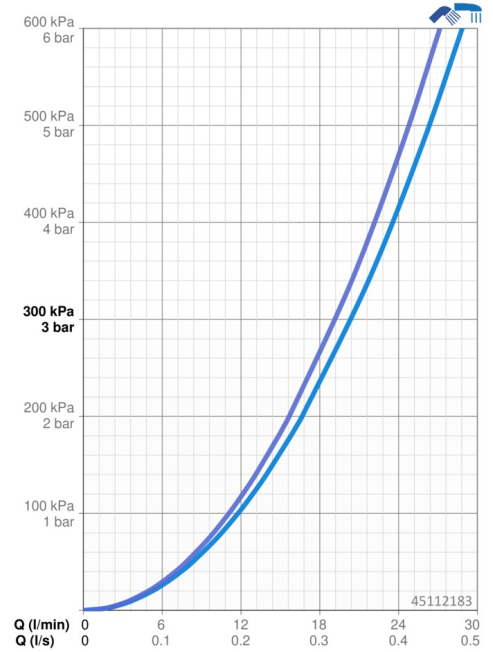
DN-size (nominal dimension) **DN15**
 Hot water supply **max. +80°C**
 Working pressure **0.5-10 bar**
 Projection **166 mm**
 Backflow prevention (EN1717) **EB**

Regulations

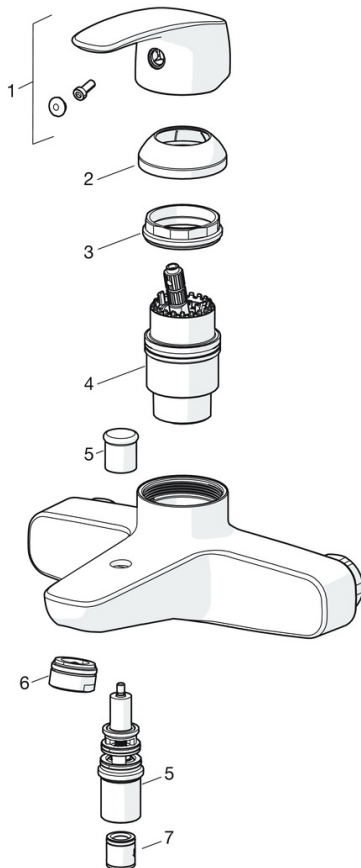
EN standard **EN 817**
 Noise class **II (ISO 3822)**

Approvals and Declarations

KIWA **K6116/08**
 ABP **PA-IX 29617/II DB**
 Declaration of conformity **DoC**



Spare parts



SP45112183

	Name	Code
01	Lever	59914453
02	Covering cap Discontinued	59914454
03	Tightening nut, M42x1.5, SW 38	59914128
04	Cartridge, 4.0 Classic	59914129
05	Diverter	59912706
06	Aerator, M24x1 C	59913401
07	Non-return valve	59905714