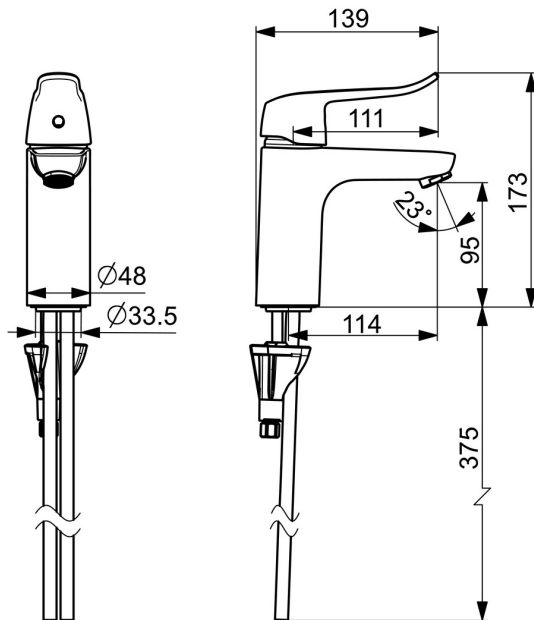
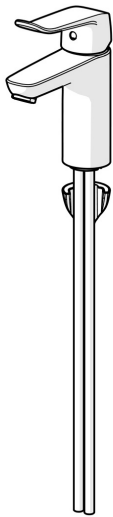


EAN: 4057304013089
static.hansa.com/45022183



- Washbasin
- Health & Care
- Single-lever
- Deck mounted
- Chrome
- Fixed spout
- Laminar stream
- Long shape, Hot/Cold symbols, Single operating lever/handle
- Limitation option for maximum temperature and flow-rate, Adjustable hot water stop (included, retrofittable)
- \varnothing 40 mm ceramic cartridge for flow and temperature control
- Copper inlet pipes
- Inner body made of DZR brass, Waterways without nickel coating, 3S-installation system for safe and simple mounting
- Without pop-up waste, Without draw-rod opening



Technical data

Flow properties

Flow-rate at 3 bar	12.4 l/min
Pressure loss with flow (0.1 l/s)	0.7 bar

Technical properties

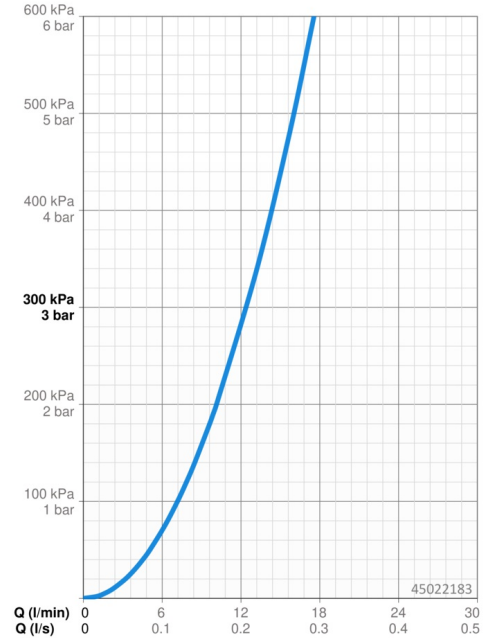
DN-size (nominal dimension)	DN15
Hot water supply	max. +80°C
Working pressure	0.5-10 bar
Projection	114 mm
Backflow prevention (EN1717)	AA
Material	Brass

Regulations

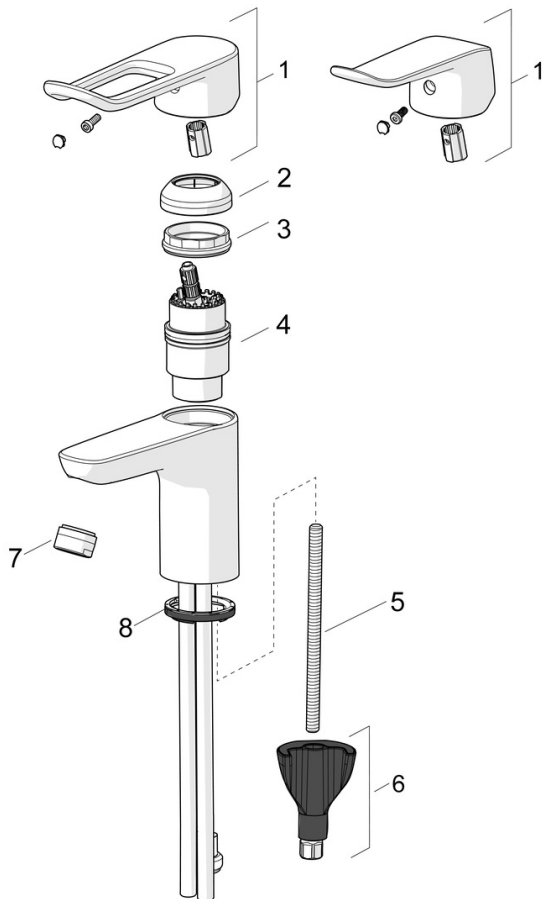
EN standard	EN 817
Noise class	I (ISO 3822)

Approvals and Declarations

KIWA	K6116/08
DVGW	DW-6506DL0556
ABP	P-IX 29684/IA
Declaration of conformity	DoC



Spare parts



SP45022186

Name	Code
01 Lever, L=136	59914719
01 Long lever, L=162	59914716
02 Covering cap	59914478
03 Tightening nut, M42x1.5, SW 38	59914128
04 Cartridge, 4.0 Classic	59914129
05 Fixing screw, M8x1, L=130	59914474
06 Fixing set	59914475
07 Aerator, M24x1, 6 l/min	59914476
07 Aerator, M24x1 STD PL HC A Laminar (2013-)	59914054
08 Bottom seal	59914591
N.I. Pop-up waste, (2019-)	59914764
N.I. Shower hose, L=1750 Satin	54120300
N.I. Hand shower holder	04430100
N.I. Bidetta hand shower	59914162