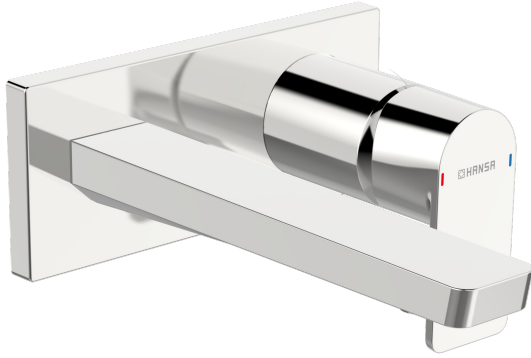
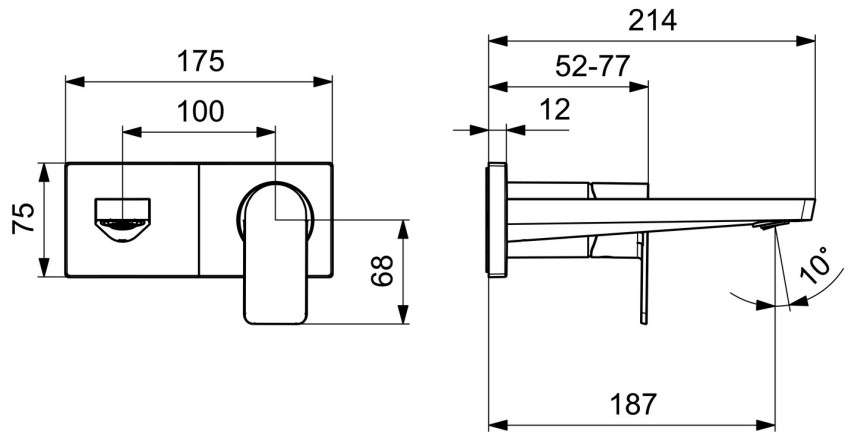
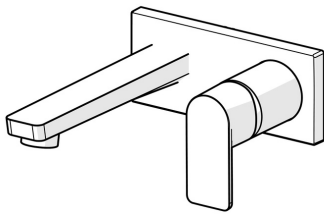


EAN: 4057304015236
static.hansa.com/44902173



Designed with an elegant touch in chrome finish, this washbasin faucet is sure to elevate your washroom experience. The trim kit and single-lever make it easy to use, while the hot and cold symbols on the single operating handle offer clear indication for adjusting temperature. The fixed spout ensures efficient water flow and the concealed wall-mounting installation type maintains the sleek design. Additionally, the inner body is made of corrosion resistant brass, ensuring durability and longevity. This product is a top-highlight and delivers an outstanding performance that will leave a lasting impression.

- Washbasin
- Trim Kit, Single-lever
- Concealed wall mounting
- Chrome
- Fixed spout
- PCA® - constant flow rate regardless of pressure variations, Adjustable flow angle
- Single operating lever/handle, Hot/Cold symbols
- ϕ 40 mm ceramic cartridge for flow and temperature control
- Inner body made of DZR brass
- Square rosette, Sleeve



Technical data

Flow properties

Flow-rate at 3 bar (with flow controller) **4.8 l/min**

Technical properties

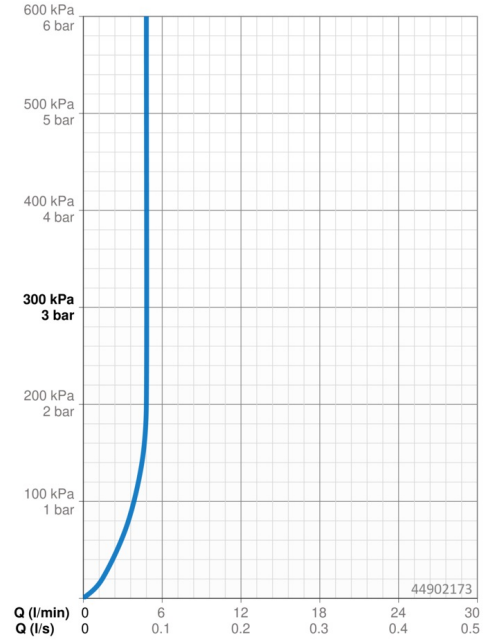
Hot water supply **max. +80°C**
 Working pressure **0.5-10 bar**
 Connection size **G1/2**
 Projection **187 mm**
 Backflow prevention (EN1717) **AA**
 Material **Brass**

Regulations

EN standard **EN 817**
 Noise class **I (ISO 3822)**

Approvals and Declarations

Declaration of conformity **DoC**
 EPD **S-P-06391**



Spare parts

SP44902173

| | Name | Code |
|----|---------------------------|----------|
| 01 | Lever | 1009774V |
| 02 | Symbol plug | 59914573 |
| 03 | Cover sleeve | 59914572 |
| 04 | Cover plate, 175x75 | 59913866 |
| 05 | Cover plate holder | 59913697 |
| 06 | Screw, M4x55 | 59913698 |
| 07 | Threaded sleeve, G1/2 | 59913865 |
| 08 | Aerator, M24x1 HC SSR-STD | 59914015 |

