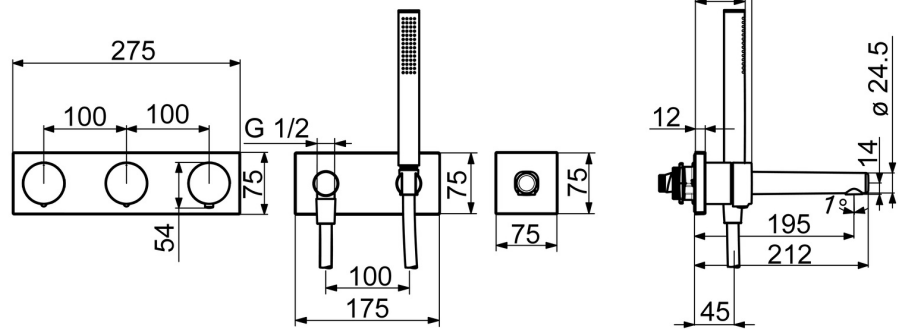
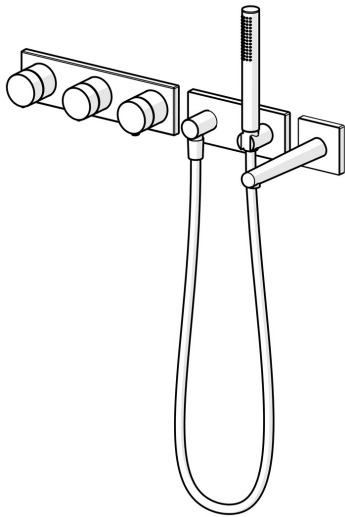


EAN: 4057304006968
static.hansa.com/44874001

trim kit installation set 7.7



- Bathtub & Shower
- Thermostatic, Trim Kit
- Concealed wall mounting
- Chrome
- Thermostatic cartridge for automatic temperature control
- Square rosette
- Filling time: 10 min (0 - 20 min)



Technical data

Flow properties

Flow-rate at 3 bar	20.4 / 12.0 l/min
Pressure loss with flow (0.2 l/s)	0.8 bar
Pressure loss with flow (0.3 l/s)	3 bar

Technical properties

DN-size (nominal dimension)	DN15
Hot water supply	max. +70°C
Working pressure	0.5-10 bar
Material	Brass

Software settings

Max. flow period	8 min
------------------	--------------

Electronic properties

Electrical Connection	230/12 V
-----------------------	-----------------

Regulations

EU Directives	C € Low Voltage Directive 2014/35/EU , EMC Directive 2014/30/EU , RoHS Directive 2011/65/EU
EN standard	EN 1111 , EN 15091 , ETSI EN 301 489-1 V1.9.2 , ETSI EN 300 328 v2.2.2 , EN 61000-6-1:2007 , EN 61000-6-3:2007+A1:2011+AC:2012 , EN 60335-1:2012+A11+A13+A14+A14+A2+A15:2021 , Part 19.11.4
Noise class	I (ISO 3822)
Protection class	IP 55 / transformer IP 40

Approvals and Declarations

Declaration of conformity	LVD
---------------------------	------------

