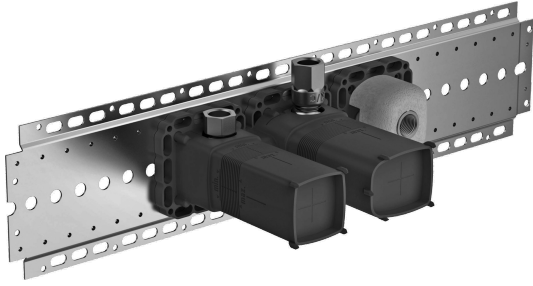
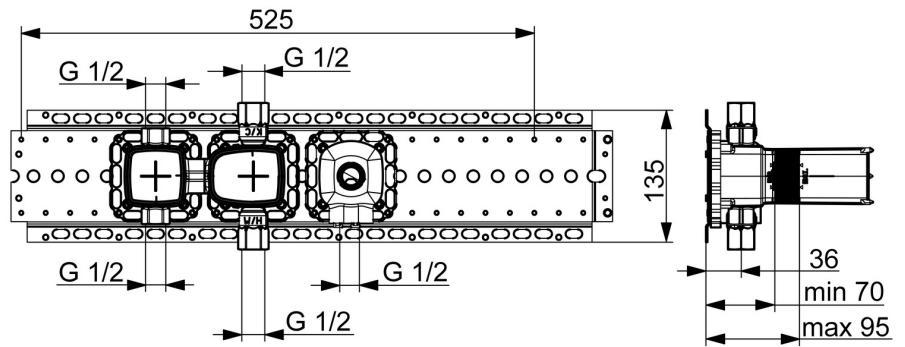
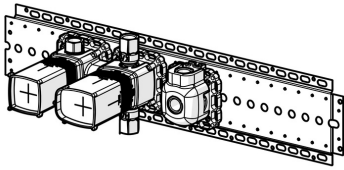


EAN: 4057304007507  
[static.hansa.com/44860031](http://static.hansa.com/44860031)



- Shower solutions
- Concealed unit
- Concealed wall mounting
- Turn operated diverter
- Gasket sleeve for dry mortarless construction, Mounting box and cover sleeve



## Technical data

### Flow properties

Flow-rate at 3 bar	<b>12.0 l/min</b>
Pressure loss with flow (0.2 l/s)	<b>3 bar</b>

### Technical properties

DN-size (nominal dimension)	<b>DN15</b>
Hot water supply	<b>max. +80°C</b>
Working pressure	<b>1-10 bar</b>
Material	<b>Brass</b>

### Regulations

EN standard	<b>EN 1111</b>
Noise class	<b>I (ISO 3822)</b>

