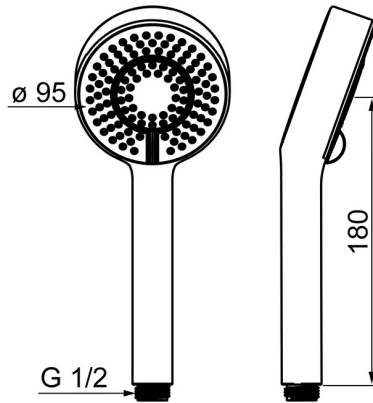
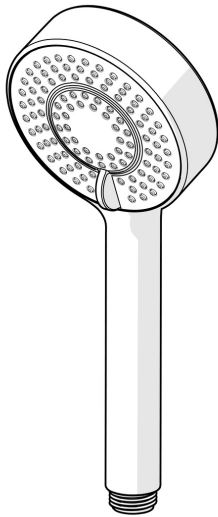


EAN: 4057304002441
static.hansa.com/44630300



- Shower solutions
- Accessories
- Chrome
- Eco flow control, Anti limescale technology (easy to clean)
- Normal - Even and soft water stream, Refreshing - Strong water stream, activates and refreshes body, Relaxing - Soft water stream, pleasant for entire body
- 3 spray functions



Technical data

Flow properties

Eco-flow at 3 bar	9.0 l/min
Flow-rate at 3 bar	18.0 l/min

Technical properties

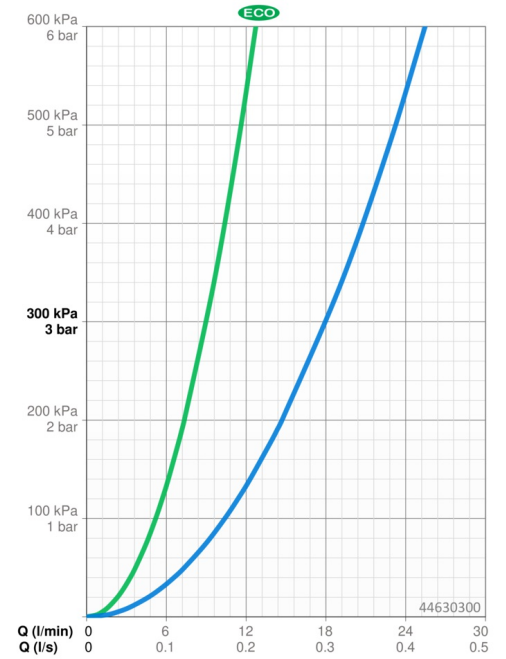
Hot water supply	max. +65°C
Working pressure	0.5-5 bar
Connection size	G1/2
Material	Composite

Regulations

EN standard	EN 1112
Noise class	I (ISO 3822)

Approvals and Declarations

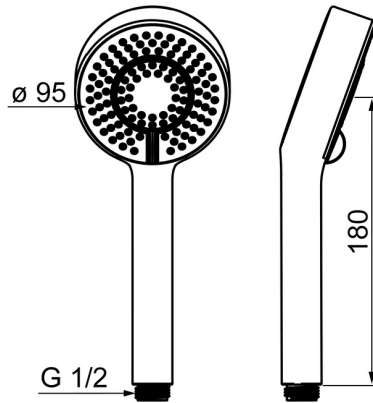
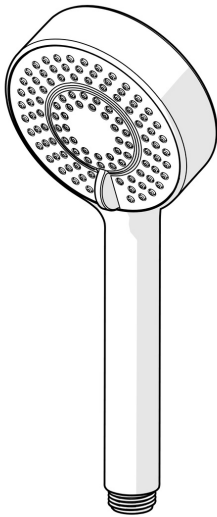
DVGW	DW-6517CT0297
ABP	P-IX 29949/IA
Declaration of conformity	DoC



EAN: 4057304015687
static.hansa.com/4463030033



- Shower solutions
- Accessories
- Matt black
- Eco flow control, Anti limescale technology (easy to clean)
- Normal - Even and soft water stream, Refreshing - Strong water stream, activates and refreshes body, Relaxing - Soft water stream, pleasant for entire body
- 3 spray functions



Technical data

Flow properties

Eco-flow at 3 bar	9.0 l/min
Flow-rate at 3 bar	18.0 l/min
Flow-rate at 3 bar (with flow controller)	15.0 l/min

Technical properties

Hot water supply	max. +65°C
Working pressure	0.5-5 bar
Connection size	G1/2
Material	Composite

Regulations

EN standard	EN 1112
Noise class	I (ISO 3822)

Approvals and Declarations

DVGW	DW-6517CT0297
ABP	P-IX 29949/IA
Declaration of conformity	DoC

