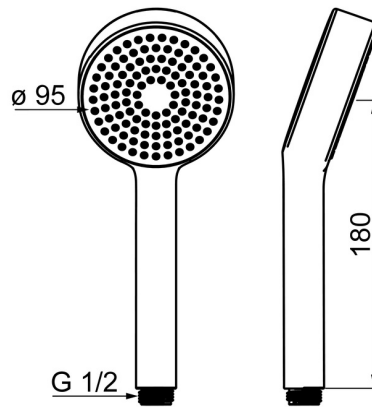
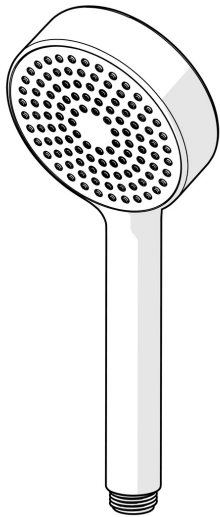


EAN: 4057304002434
static.hansa.com/44610300



- Shower solutions
- Accessories
- Chrome
- Anti limescale technology (easy to clean)
- Refreshing - Strong water stream, activates and refreshes body
- 1 spray function



Technical data

Flow properties

Flow-rate at 3 bar	18.0 l/min
Flow-rate at 3 bar (with flow controller)	15.0 l/min

Technical properties

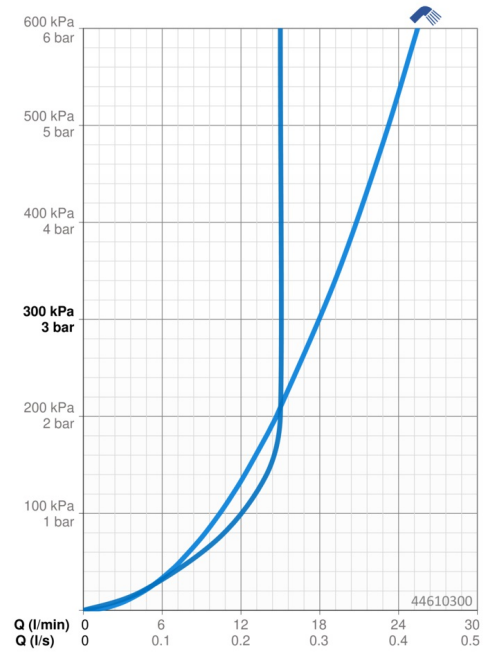
Hot water supply	max. +65°C
Working pressure	0.5-5 bar
Connection size	G1/2
Material	Composite

Regulations

EN standard	EN 1112
Noise class	I (ISO 3822)

Approvals and Declarations

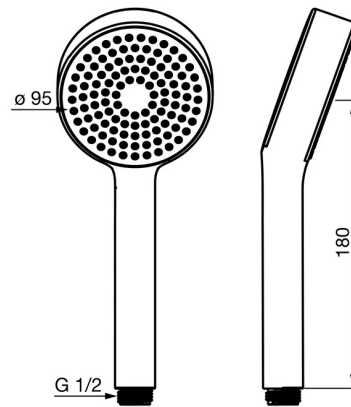
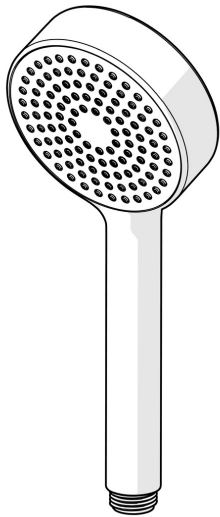
DVGW	DW-6517CT0297
ABP	P-IX 38426/IS
Declaration of conformity	DoC



EAN: 4057304005350
static.hansa.com/44610400



- Shower solutions
- Accessories
- Chrome
- Eco flow control, Anti limescale technology (easy to clean)
- Refreshing - Strong water stream, activates and refreshes body
- 1 spray function



Technical data

Flow properties

Flow-rate at 3 bar (with flow controller) **9.0 l/min**

Technical properties

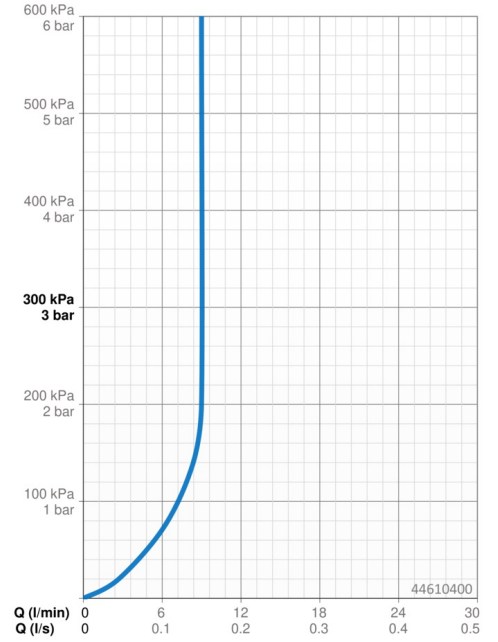
Hot water supply **max. +65°C**
 Working pressure **0.5-5 bar**
 Connection size **G1/2**
 Material **Composite**

Regulations

EN standard **EN 1112**

Approvals and Declarations

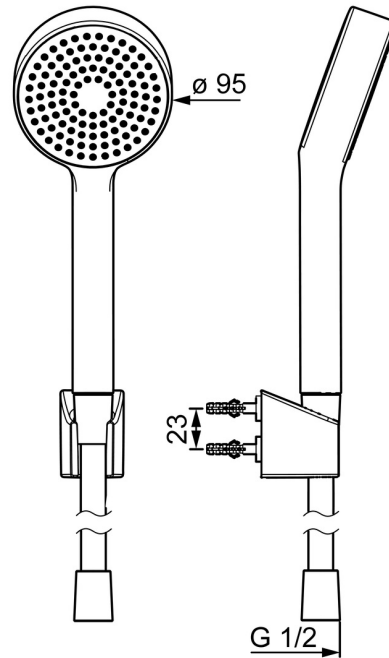
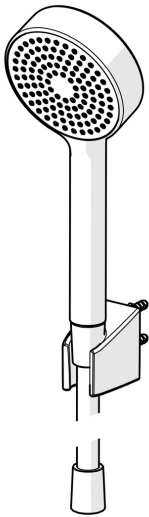
ABP **P-IX 38426/IS**
 Declaration of conformity **DoC**



EAN: 4057304002526
static.hansa.com/44680113



- Shower solutions
- Wall mounted
- Chrome
- Hand shower, Shower holder, Shower hose (1500 mm), Anti limescale technology (easy to clean)
- Relaxing - Soft water stream, pleasant for entire body
- 1 spray function



Technical data

Flow properties

Flow-rate at 3 bar	18.0 l/min
Flow-rate at 3 bar (with flow controller)	15.0 l/min

Technical properties

Hot water supply	max. +65°C
Working pressure	0.5-5 bar
Connection size	G1/2
Material	Composite

Regulations

EN standard	EN 1112, EN 1113
-------------	-------------------------

Approvals and Declarations

Declaration of conformity	DoC
EPD	S-P-06395

