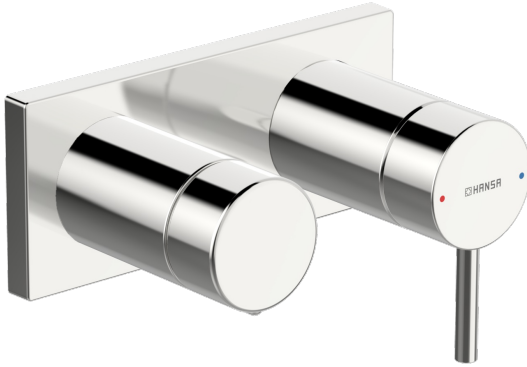
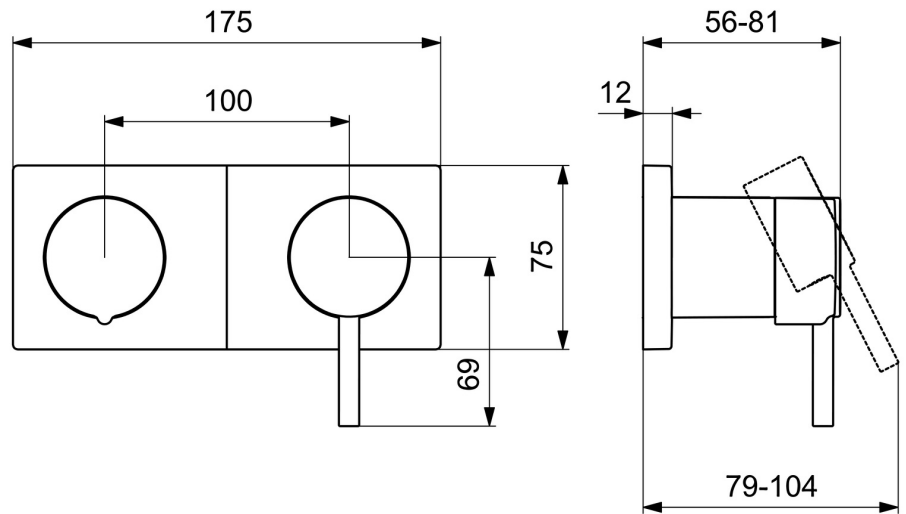
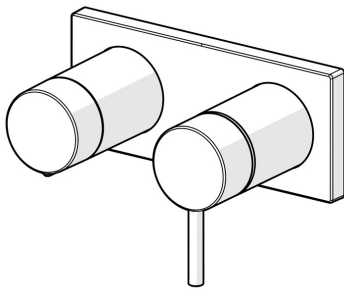


EAN: 4057304014826  
[static.hansa.com/44579583](https://static.hansa.com/44579583)



- Bathtub & Shower
- Single-lever, Trim Kit
- Concealed wall mounting
- Chrome
- Pin shape, Single operating lever/handle, Hot/Cold symbols
- Turn operated diverter
- Rosette plate frame, Square rosette, Sleeve, BLUECLICK for an easy, screwless trim plate installation
- with 2-way-diverter



## Technical data

### Flow properties

Flow-rate at 3 bar	<b>16.8 / 12.0 l/min</b>
Pressure loss with flow (0.2 l/s)	<b>3 bar</b>

### Technical properties

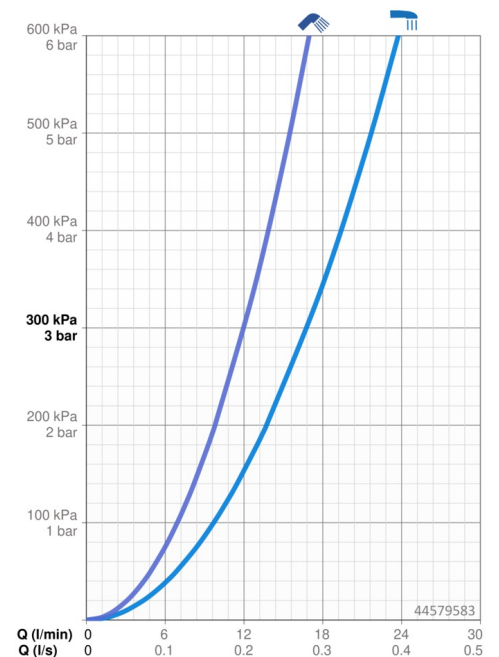
Hot water supply	<b>max. +80°C</b>
Working pressure	<b>0.5-10 bar</b>
Material	<b>Brass</b>

### Regulations

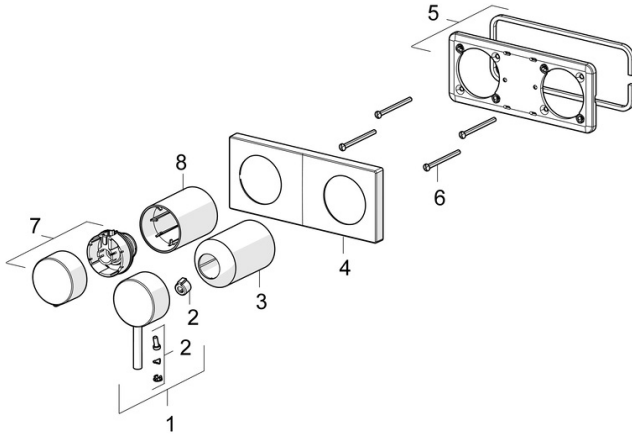
EN standard	<b>EN 817</b>
Noise class	<b>II (ISO 3822)</b>

### Approvals and Declarations

Declaration of conformity	<b>DoC</b>
---------------------------	------------



## Spare parts



### SP44579583

	Name	Code
01	Lever	1006310V
02	Symbol plug	59914573
03	Cover sleeve	59914572
04	Cover plate Discontinued	59914702
05	Cover plate holder	59913697
06	Screw, M4x55	59913698
07	Flow control handle Discontinued	59914703
08	Cover sleeve	59914671