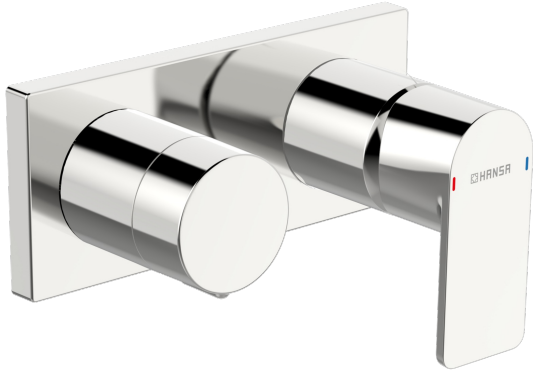
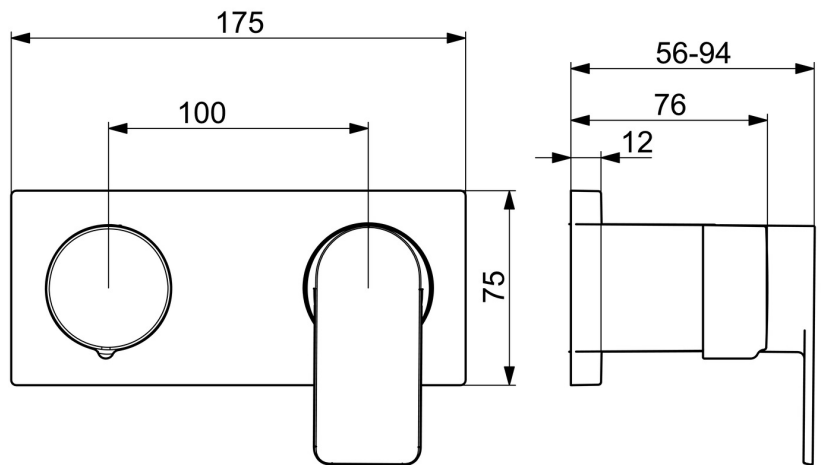
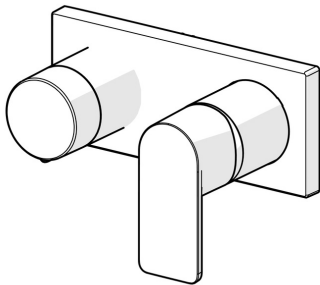


EAN: 4057304015298  
[static.hansa.com/44579573](https://static.hansa.com/44579573)



Introducing this chrome finished bath and shower faucet, designed for concealed wall-mounting in your bathtub and shower area. The sleek chrome surface treatment adds a touch of elegance to your bathroom. With a single-lever trim kit and turn-operated diverter, this product is easy to use. The inner body is made of corrosion resistant brass, ensuring durability and reliability. This is a top-of-the-line product and known for its innovative design and flexibility in combination with different modern bathroom designs.

- Bathtub & Shower
- Trim Kit, Single-lever
- Concealed wall mounting
- Chrome
- Single operating lever/handle, Hot/Cold symbols
- Turn operated diverter
- $\varnothing$  40 mm ceramic cartridge for flow and temperature control
- Inner body made of DZR brass
- Square rosette, Sleeve



## Technical data

### Flow properties

Flow-rate at 3 bar **16.8 / 12.0 l/min**

### Technical properties

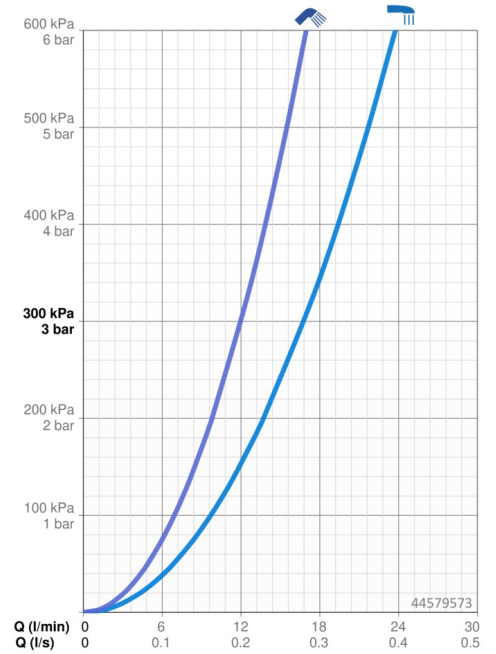
Hot water supply **max. +80°C**  
 Working pressure **0.5-10 bar**  
 Connection size **G1/2**  
 Material **Brass**

### Regulations

EN standard **EN 817**  
 Noise class **II (ISO 3822)**

### Approvals and Declarations

Declaration of conformity **DoC**



## Spare parts

### SP44579573

	Name	Code
01	Lever	1009774V
02	Symbol plug	59914573
03	Cover sleeve	59914572
04	Cover plate, 175x75	59913734
05	Cover plate holder	59913697
06	Screw, M4x55	59913698
07	Cover sleeve	59914671

