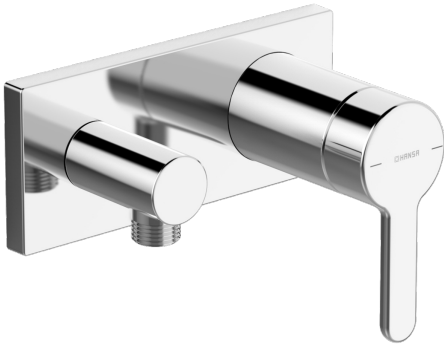
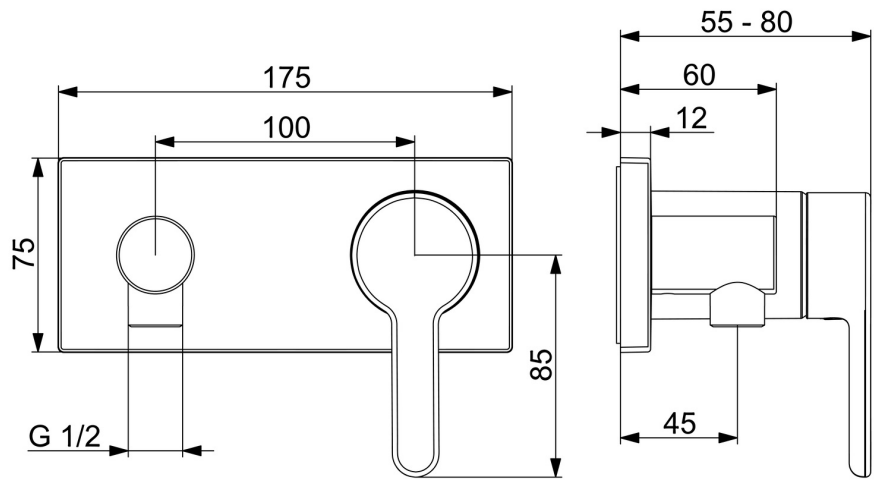
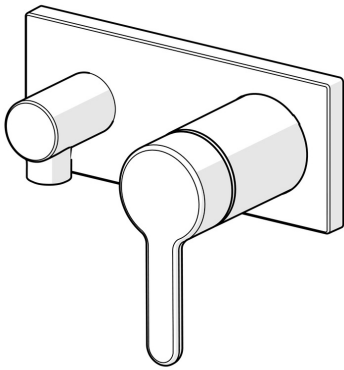


EAN: 4057304006944
static.hansa.com/44509583

trim kit



- Shower solutions
- Single-lever, Trim Kit
- Concealed wall mounting
- Chrome
- Hot/Cold symbols, Single operating lever/handle
- Wall connection elbow
- Non-return valve(s)
- Rosette plate frame, Square rosette, Sleeve, BLUECLICK for an easy, screwless trim plate installation



Technical data

Flow properties

| | |
|-----------------------------------|-------------------|
| Flow-rate at 3 bar | 12.0 l/min |
| Pressure loss with flow (0.2 l/s) | 3 bar |

Technical properties

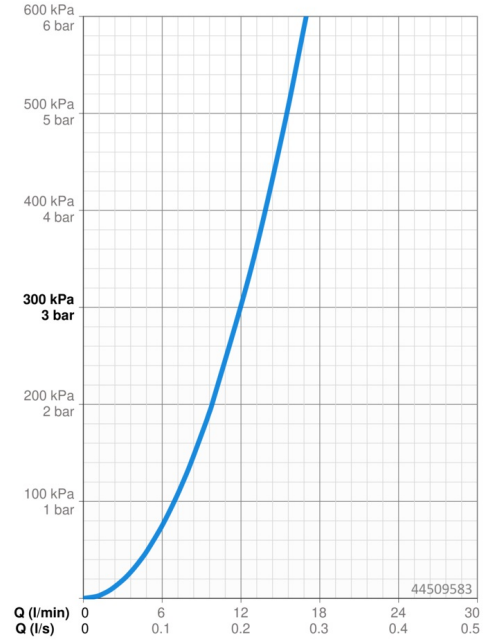
| | |
|------------------------------|-------------------|
| Hot water supply | max. +80°C |
| Working pressure | 0.5-10 bar |
| Backflow prevention (EN1717) | EB |
| Material | Brass |

Regulations

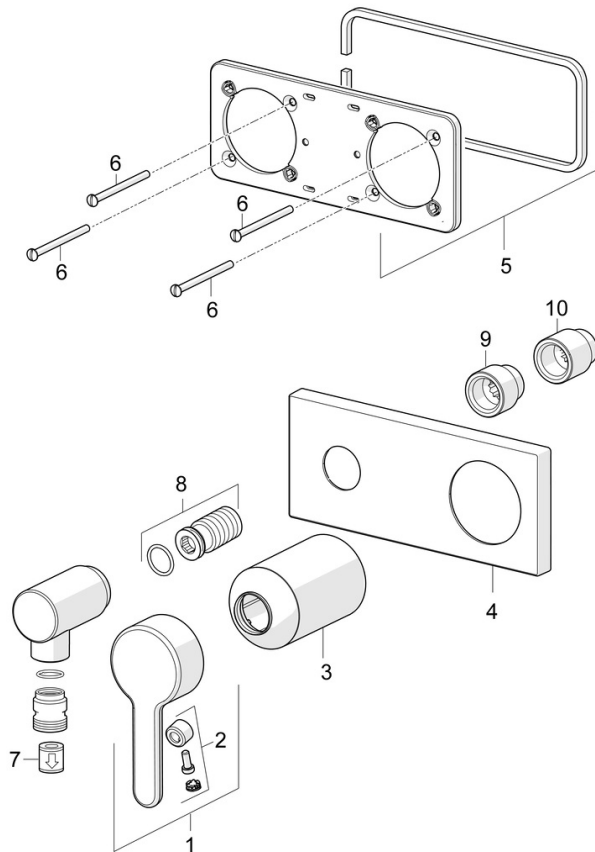
| | |
|-------------|----------------------|
| EN standard | EN 817 |
| Noise class | II (ISO 3822) |

Approvals and Declarations

| | |
|---------------------------|------------|
| Declaration of conformity | DoC |
|---------------------------|------------|



Spare parts



SP44509583

| | Name | Code |
|----|--|----------|
| 01 | Lever | 59914574 |
| 02 | Symbol plug | 59914573 |
| 03 | Cover sleeve | 59914572 |
| 04 | Cover plate, 175x75 | 59913866 |
| 05 | Cover plate holder | 59913697 |
| 06 | Screw, M4x55 | 59913698 |
| 07 | Non-return valve | 59905714 |
| 08 | Threaded sleeve, G1/2 | 59913865 |
| 09 | Extension screw kit, G1/2, SW12, 15 mm | 59913863 |
| 10 | Extension screw kit, G1/2, SW12, 20 mm | 59913864 |