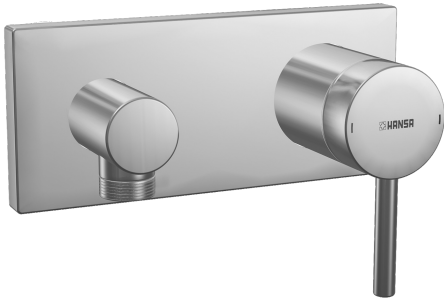
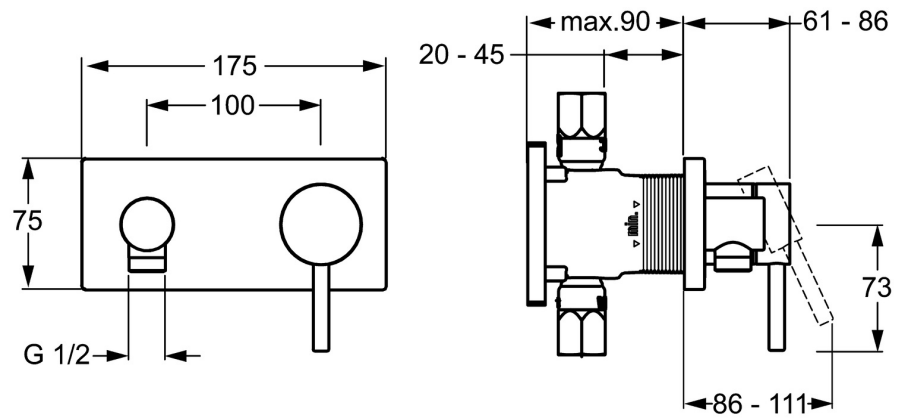
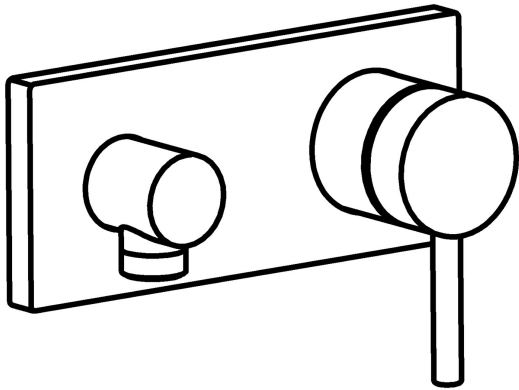


EAN: 4015474202726
static.hansa.com/44509503



- Shower solutions
- Single-lever, Trim Kit
- Concealed wall mounting
- Chrome
- Pin shape, Single operating lever/handle, Hot/Cold symbols
- Wall connection elbow
- Non-return valve(s)
- Square rosette, BLUECLICK for an easy, screwless trim plate installation



Technical data

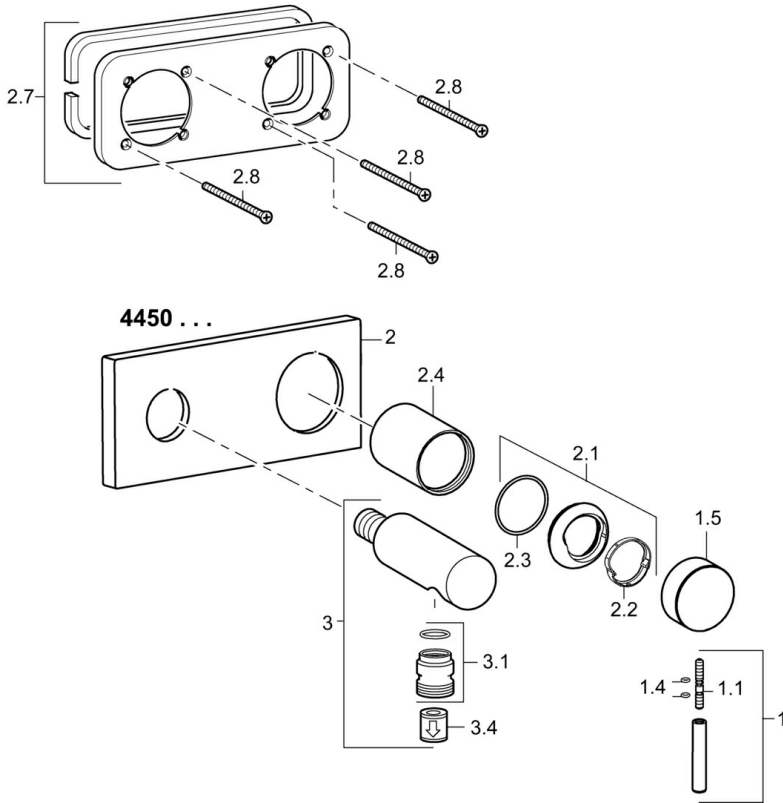
Technical properties

| | |
|------------------------------|-------------------|
| Hot water supply | max. +80°C |
| Working pressure | 0.5-10 bar |
| Backflow prevention (EN1717) | EB |

Regulations

| | |
|-------------|---------------|
| EN standard | EN 817 |
|-------------|---------------|

Spare parts



SP44509503

| | Name | Code |
|------|--------------------------------------|----------|
| 1 | Lever, L=50, M5 IG | 59913335 |
| 1.1 | Screw, M5x35 | 59913299 |
| 1.4 | O-ring, d 3x1.5 | 59913100 |
| 1.5 | Cap | 59913332 |
| 2 | Cover flange, 175x75 mm Discontinued | 59913699 |
| 2.1 | Covering cap | 59913364 |
| 2.2 | Bearing ring | 59913363 |
| 2.3 | O-ring, d 38x2 | 59913212 |
| 2.4 | Cover sleeve | 59913375 |
| 2.7 | Cover plate holder | 59913697 |
| 2.8 | Screw, M4x55 | 59913698 |
| 3 | Wall coupling Discontinued | 59913700 |
| 3.1 | Thread nipple, G1/2xM18x1 | 59911384 |
| 3.4 | Non-return valve | 59905714 |
| N.I. | Raising kit, 20 mm | 59913590 |