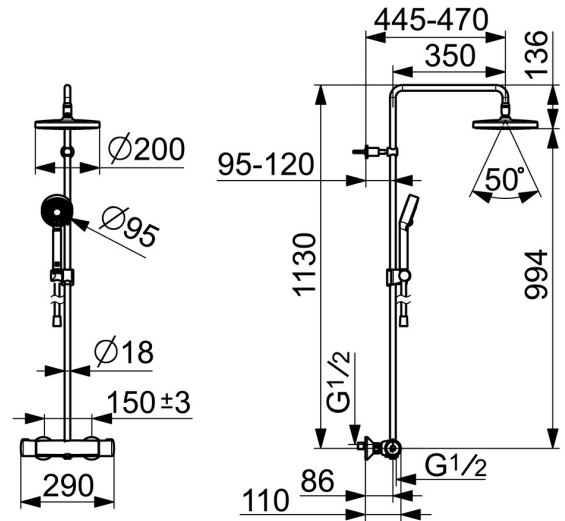
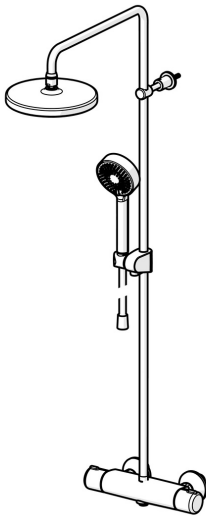


EAN: 4057304018503
static.hansa.com/443501300009



- ECO Building
- Thermostatic
- Wall mounted
- Chrome
- Temperature control handle, Flow control handle, Eco feature for water flow, Safety feature for water temperature
- Turn operated diverter, Integrated into flow control handle
- Hand shower, Shower rail, Overhead shower, Adjustable shower rail bracket, Variable fixing points, Rotatable ball joint connection, Anti limescale technology (easy to clean), Twist guard for shower hose
- Normal - Even and soft water stream
- Safety stop against scalding at 38°C, The housing of the fittings conducts minimal heat
- Ceramic head part for flow control, Thermostatic cartridge for automatic temperature control, Non-return valve(s), Litter filter(s)
- Eccentric coupling(s), External thread, Cover plate(s), Silencer(s)
- Flexible length / can be shortened
- 3 spray functions



Technical data

Flow properties

Flow-rate at 3 bar (with flow controller) **9.0 l/min**

Technical properties

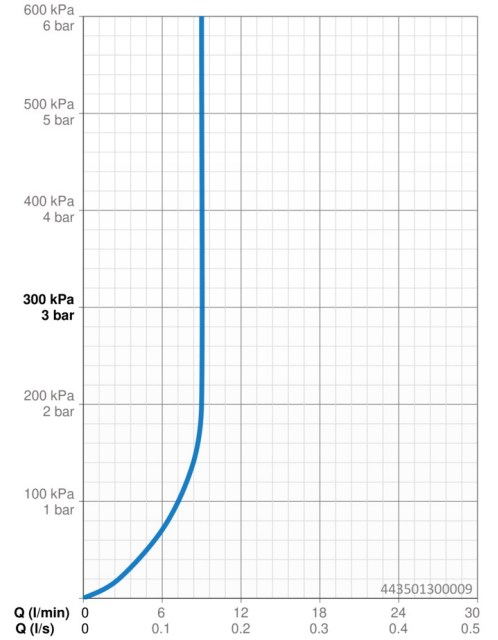
DN-size (nominal dimension) **DN15**
 Hot water supply **max. +65°C**
 Working pressure **1-10 bar**
 Connection size **G3/4**
 Installation width **150 ± 3 mm**
 Backflow prevention (EN1717) **EB**
 Material **Brass**

Regulations

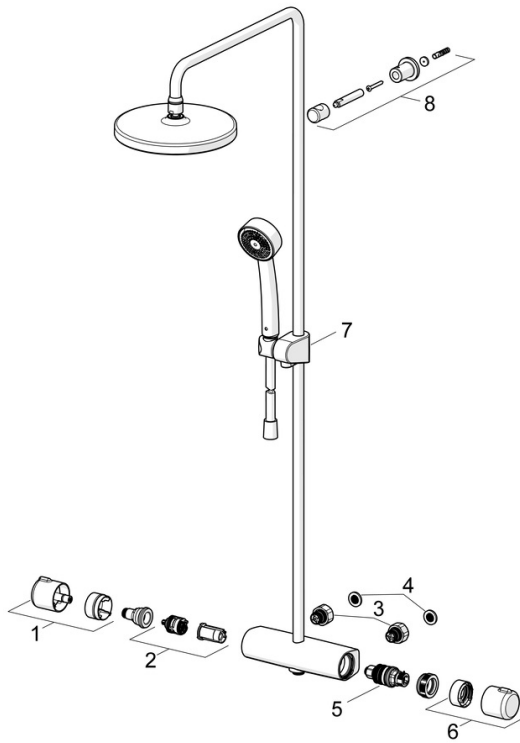
EN standard **EN 1111, EN 1112, EN 1113**
 Noise class **I (ISO 3822)**

Approvals and Declarations

ABP **P-IX 29855/IAS**
 ACS **20 ACC LY 145**
 Declaration of conformity **DoC**
 EPD **S-P-07819**



Spare parts



SP44350130

| | Name | Code |
|----|-----------------------------|----------|
| 01 | Flow control handle | 59914397 |
| 02 | Diverter and cartridge | 59914116 |
| 03 | Combiner | 59914472 |
| 04 | Filter sealing, G3/4 | 59911076 |
| 05 | Thermostatic cartridge, 3.4 | 59914114 |
| 06 | Temperature control handle | 59914396 |
| 07 | Slide for shower rail | 59914392 |
| 08 | Shower pipe holder | 59914773 |