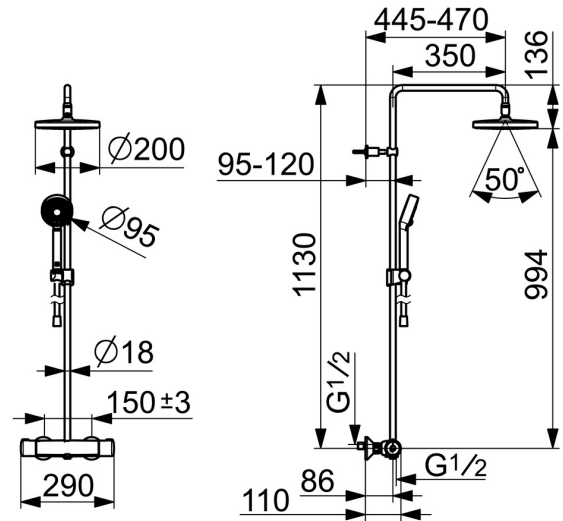
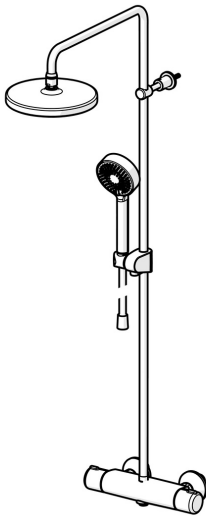


EAN: 4057304012877
static.hansa.com/44350130



- Shower solutions
- Thermostatic
- Wall mounted
- Chrome
- Temperature control handle, Flow control handle, Eco feature for water flow, Safety feature for water temperature
- Turn operated diverter, Integrated into flow control handle
- Hand shower, Shower rail, Overhead shower, Adjustable shower rail bracket, Shower hose (1750 mm), Variable fixing points, Rotatable ball joint connection, Anti limescale technology (easy to clean)
- Normal - Even and soft water stream, Refreshing - Strong water stream, activates and refreshes body, Relaxing - Soft water stream, pleasant for entire body
- Safety stop against scalding at 38°C, The housing of the fittings conducts minimal heat
- Ceramic head part for flow control, Thermostatic cartridge for automatic temperature control, Non-return valve(s), Litter filter(s)
- Eccentric coupling(s), External thread, Cover plate(s), Silencer(s)
- Flexible length / can be shortened
- 3 spray functions



Technical data

Flow properties

Flow-rate at 3 bar (with flow controller)	16.8 / 15.6 l/min
Pressure loss with flow (0.2 l/s)	1.8 bar

Technical properties

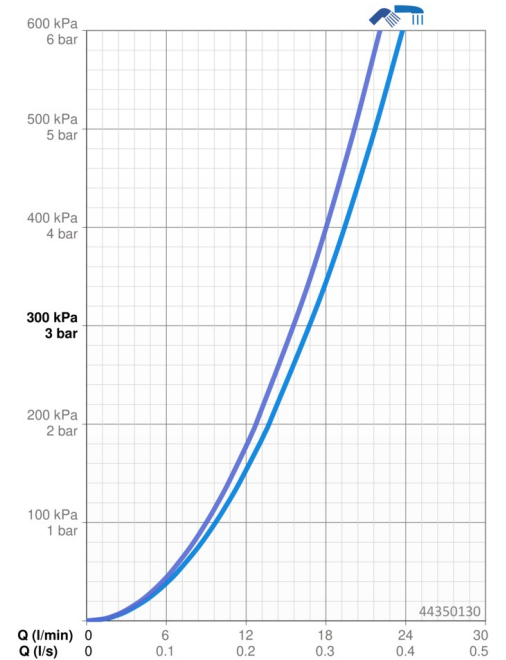
DN-size (nominal dimension)	DN15
Hot water supply	max. +65°C
Working pressure	1-10 bar
Connection size	G1/2
Installation width	150 ± 15 mm
Projection	445 - 470 mm
Backflow prevention (EN1717)	EB
Material	Brass

Regulations

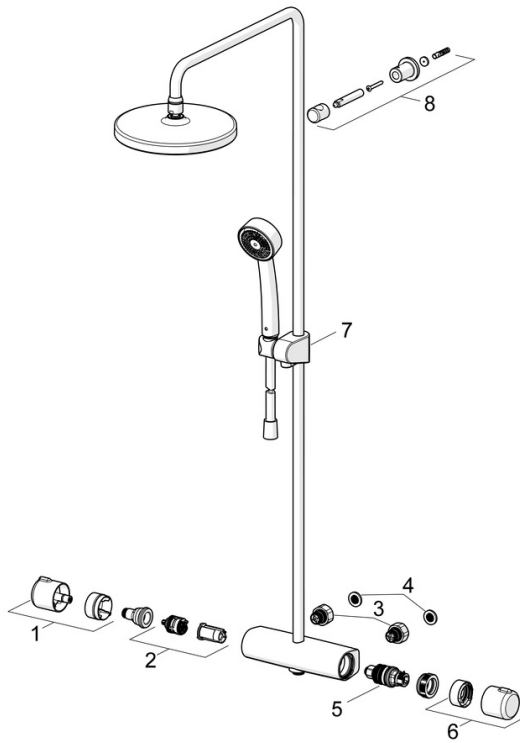
EN standard	EN 1111, EN 1112, EN 1113
Noise class	I (ISO 3822)

Approvals and Declarations

ABP	P-IX 29855/IAS
ACS	20 ACC LY 145
Declaration of conformity	DoC
EPD	S-P-07819



Spare parts



SP44350130

	Name	Code
01	Flow control handle	59914397
02	Diverter and cartridge	59914116
03	Combiner	59914472
04	Filter sealing, G3/4	59911076
05	Thermostatic cartridge, 3.4	59914114
06	Temperature control handle	59914396
07	Slide for shower rail	59914392
08	Shower pipe holder	59914773