

EAN: 4057304018022  
[static.hansa.com/44180300](http://static.hansa.com/44180300)



Designed to impress and give an elegant solution for any bathroom.

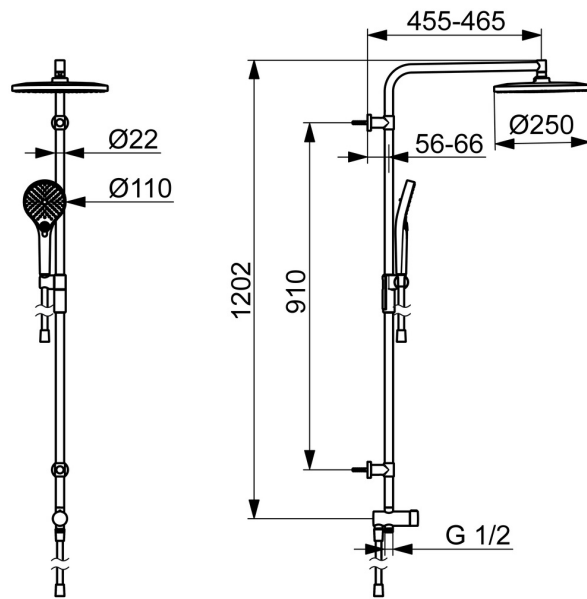
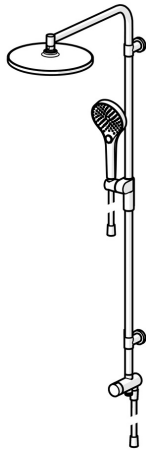
This overhead shower set gives you a most comfortable and enjoyable shower experience every day. With focus on high performance while still have an eye on the aesthetics and details to secure an easy installation.

The large and flat head shower has a gentle spray that covers the whole body. Enjoy the even and strong water stream for the ultimate relaxation.

Our 3-spray handshower is easy to operate with a nice designed push button to easily change the water sprays.

Elegant design and total enjoyment

- Shower solutions
- Wall mounted
- Chrome
- Turn operated diverter
- Rotatable ball joint connection, Hand shower, Lockable in the middle position, Adjustable shower rail bracket, Swivel overhead shower, Shower hose (1000 mm), Shower hose (1750 mm), Shower rail, Anti limescale technology (easy to clean), Twist guard for shower hose, Variable fixing points
- Normal - Even and soft water stream, Massage - Strong water stream due to rotatable spray nozzles, Rain - Even and strong water stream
- Non-return valve(s)
- Flexible inlet pipes
- Flexible length / can be shortened, Anti-twist hose connector
- 3 spray functions



## Technical data

### Flow properties

|   |                          |
|---|--------------------------|
| Flow-rate at 3 bar (with flow controller) | <b>12.0 / 12.0 l/min</b> |
| Pressure loss with flow (0.2 l/s)         | <b>2.5 bar</b>           |

### Technical properties

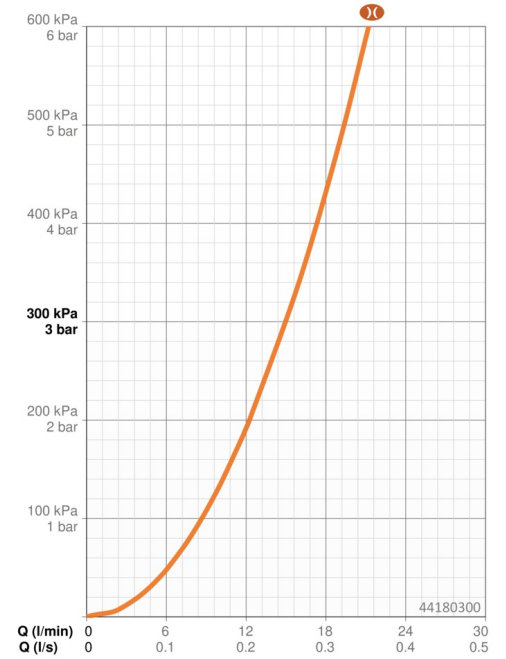
|                              |                      |
|------------------------------|----------------------|
| Hot water supply             | <b>max. +65°C</b>    |
| Working pressure             | <b>0.5-5 bar</b>     |
| Connection size              | <b>G1/2</b>          |
| Backflow prevention (EN1717) | <b>EB</b>            |
| Material                     | <b>Brass/Plastic</b> |

### Regulations

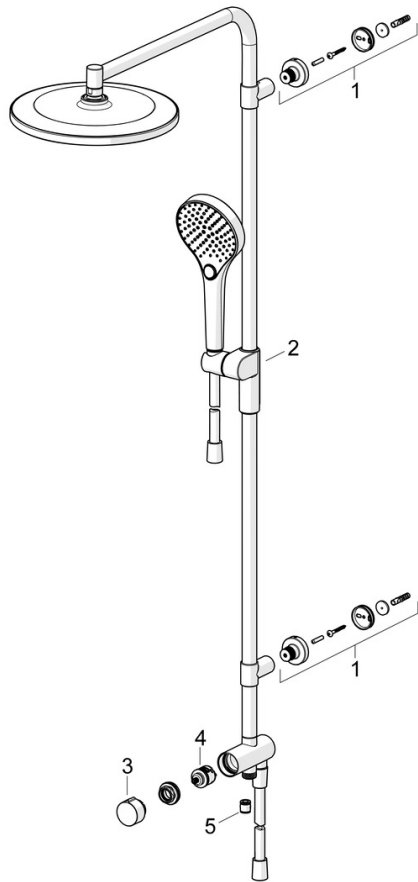
|             |                      |
|-------------|----------------------|
| EN standard | <b>EN1112</b>        |
| Noise class | <b>II (ISO 3822)</b> |

### Approvals and Declarations

|                           |            |
|---------------------------|------------|
| Declaration of conformity | <b>DoC</b> |
|---------------------------|------------|



## Spare parts



### SP44180300

|    | Name                   | Code     |
|----|------------------------|----------|
| 01 | Wall bracket           | 1013902V |
| 02 | Slide for shower rail  | 1012974V |
| 03 | Handle                 | 1013857V |
| 04 | Diverter               | 59914183 |
| 05 | Non-return valve, DN15 | 59914250 |