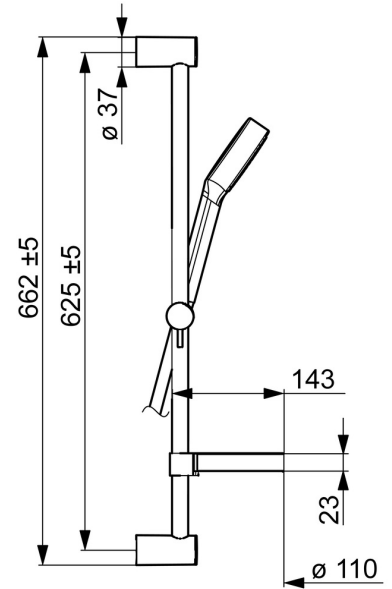
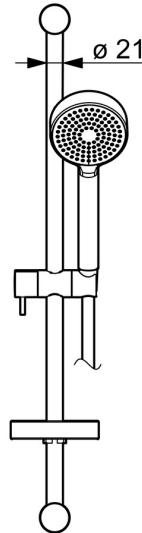
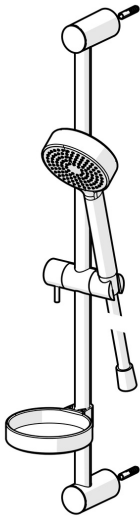


EAN: 4015474238848
static.hansa.com/44160110



- Shower solutions
- Wall mounted
- Chrome
- Hand shower, Shower rail, Adjustable shower rail bracket, Soap dish, Shower hose (1750 mm), Anti limescale technology (easy to clean)
- Normal - Even and soft water stream
- Litter filter(s)
- Flexible length / can be shortened
- 1 spray function



Technical data

Flow properties

Flow-rate at 3 bar	18.0 l/min
Flow-rate at 3 bar (with flow controller)	15.0 l/min

Technical properties

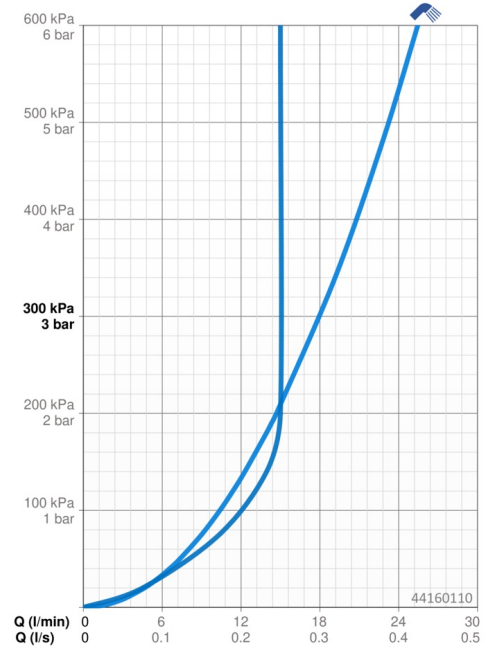
DN-size (nominal dimension)	DN15
Hot water supply	max. +65°C
Working pressure	0.5-5 bar
Connection size	G1/2
Length / Height	625 mm
Material	Composite

Regulations

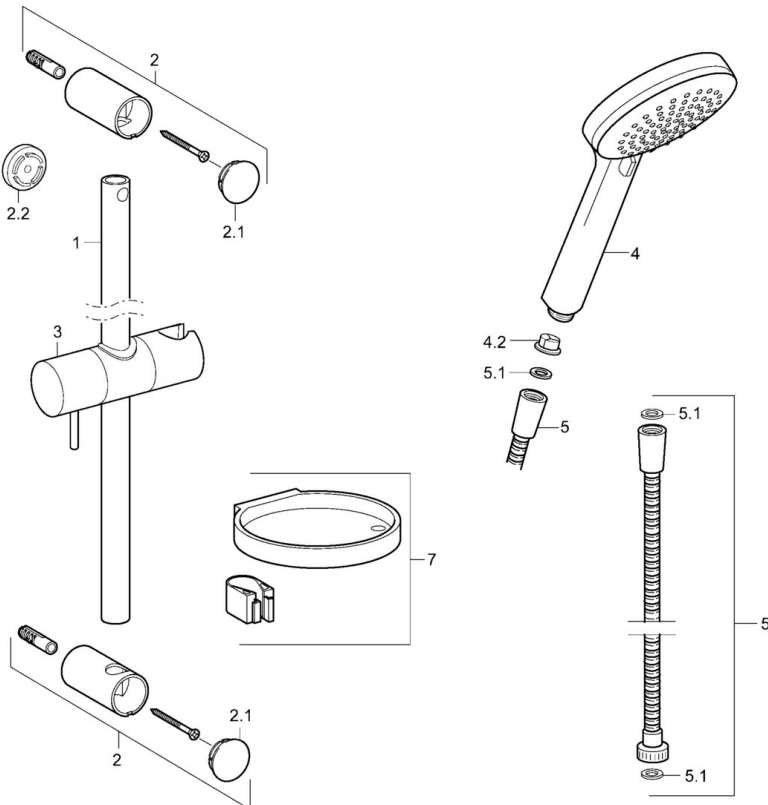
EN standard	EN 1112, EN 1113
-------------	-------------------------

Approvals and Declarations

Declaration of conformity	DoC
---------------------------	------------



Spare parts



SP44160110

	Name	Code
2	Wall bracket	59913743
2.1	Covering cap	59913744
2.2	Spacer sleeve, 5 mm	59913742
3	Slide for shower rail	59913755
4	Hand shower, d 100 mm Discontinued	44310100
4.2	Strainer	59906859
5	Shower hose, L=1750	44120300
5.1	Gasket ring, d 21x12x2	59912304
7	Soap tray	59913745
7	Holder	59913983