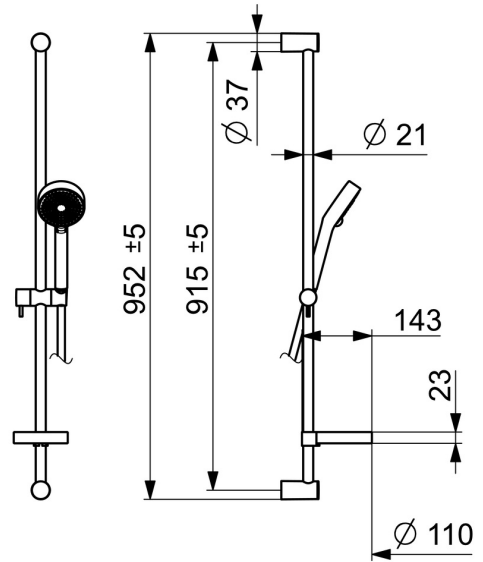


EAN: 4015474238800
static.hansa.com/44150110



- Shower solutions
- Wall mounted
- Chrome
- Hand shower, Shower rail, Adjustable shower rail bracket, Soap dish, Shower hose (1750 mm), Anti limescale technology (easy to clean)
- Normal - Even and soft water stream
- Litter filter(s)
- Flexible length / can be shortened
- 1 spray function



Technical data

Flow properties

Flow-rate at 3 bar	18.0 l/min
Flow-rate at 3 bar (with flow controller)	15.0 l/min

Technical properties

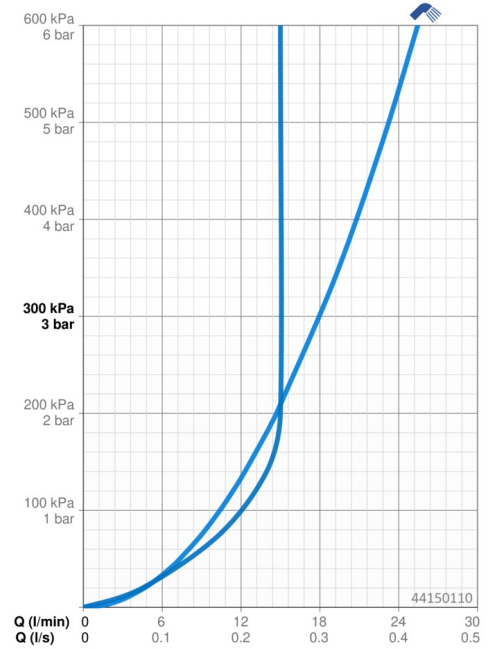
Hot water supply	max. +65°C
Working pressure	0.5-5 bar
Connection size	G1/2
Length / Height	915 mm

Regulations

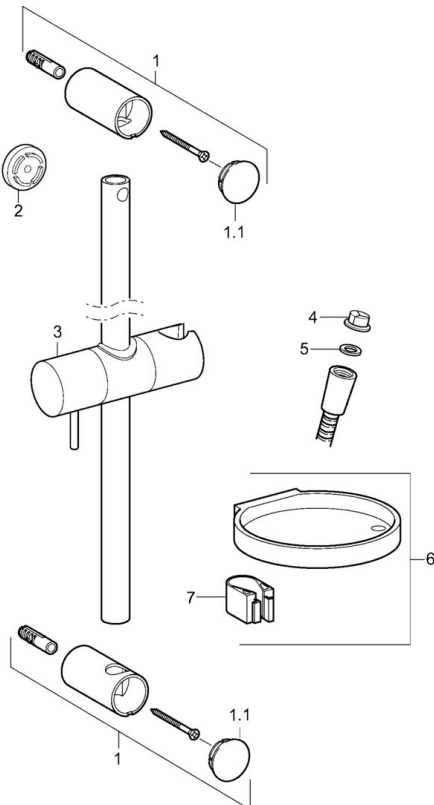
EN standard	EN 1112, EN 1113
-------------	-------------------------

Approvals and Declarations

Declaration of conformity	DoC
---------------------------	------------



Spare parts



SP44150110

	Name	Code
01	Wall bracket	59913743
01.1	Covering cap	59913744
02	Spacer sleeve, 5 mm	59913742
03	Slide for shower rail	59913755
04	Strainer	59906859
05	Gasket ring, d 21x12x2	59912304
06	Soap tray	59913745
07	Holder	59913983