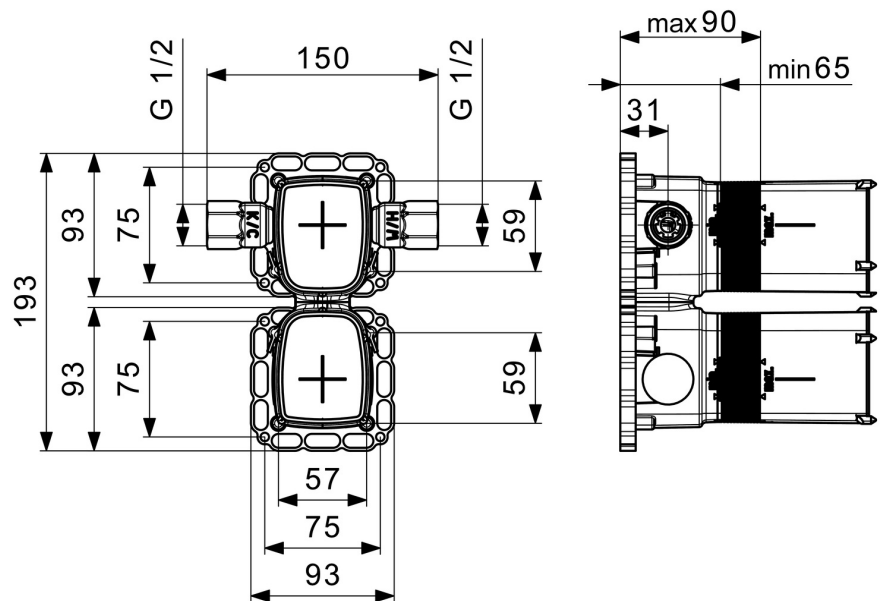
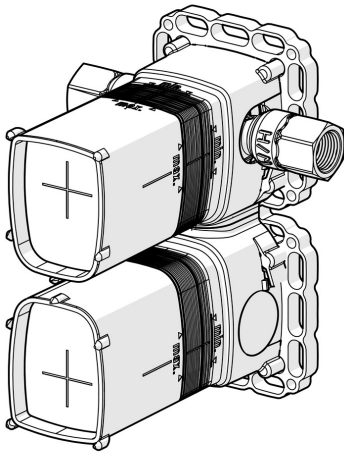


EAN: 4015474277908
static.hansa.com/44090000



- Washbasin
- Concealed unit, External transformer
- Concealed wall mounting
- Limitation option for maximum temperature and flow-rate
- Litter filter(s), Non-return valve(s), Thermostatic cartridge for automatic temperature control, Pressure plug
- Silencer(s)
- Inner body made of DZR brass
- Gasket sleeve for dry mortarless construction, Mounting box and cover sleeve, Concealed electronics box, Multifix fastening system, Rotating installation option
- Extension of the installation depth by 5 mm by fastening on the assembly rail; protected against back-flow in domestic use (according to DIN EN 1717)



Technical data

Flow properties

Flow-rate at 3 bar **21.0 l/min**

Technical properties

DN-size (nominal dimension) **DN15**
 Hot water supply **max. +70°C**
 Working pressure **1-10 bar**
 Connection size **G1/2**
 Backflow prevention (EN1717) **EB**
 Material **Brass**

Electronic properties

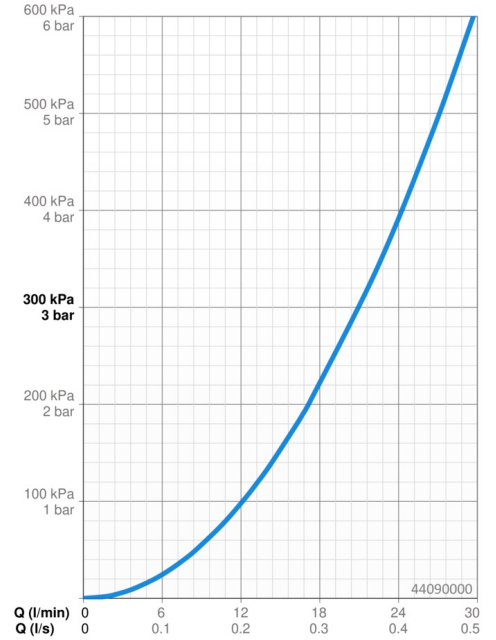
Electrical Connection **230/12 V**
 Connection cable **10 m, 4 x 0.25 mm²**

Regulations

EU Directives **CE Low Voltage Directive 2014/35/EU, EMC Directive 2014/30/EU, RoHS Directive 2011/65/EU**
 EN standard **EN 15091, ETSI EN 301 489-1 V1.9.2, ETSI EN 300 328 v2.2.2, EN 61000-6-1:2007, EN 61000-6-3:2007+A1:2011+AC:2012, EN 60335-1:2012+A11+A13+A14+A2+A15:2021, Part 19.11.4**
 Protection class **IP 55 / transformer IP 20**

Approvals and Declarations

Declaration of conformity **LVD**



Spare parts

SP44090000

	Name	Code
1	Thermostatic cartridge, 2.7	59913823
2	Solenoid valve complete	59914352
3	One-way valve with litter screen	59913696
4	Flush connector	59913589
N.I.	Raising kit Discontinued	59914353

