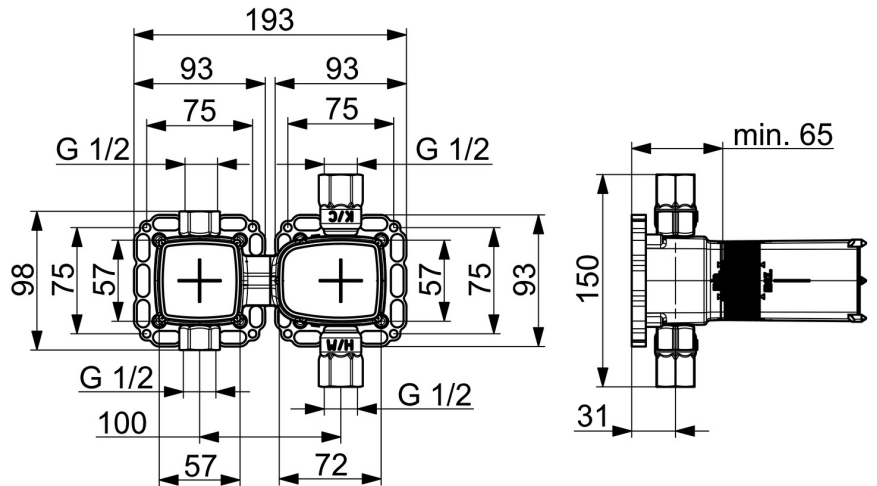
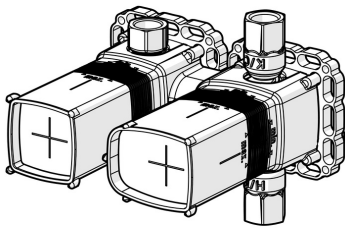


EAN: 4057304007286  
[static.hansa.com/44030100](http://static.hansa.com/44030100)



- Bathtub & Shower
- Concealed unit
- Concealed wall mounting
- Chrome
- Turn operated diverter
- Thermostatic cartridge for automatic temperature control, Non-return valve(s)
- Gasket sleeve for dry mortarless construction, Mounting box and cover sleeve, Multifix fastening system
- Without trim kit



## Technical data

### Flow properties

Flow-rate at 3 bar **19.8 l/min**

### Technical properties

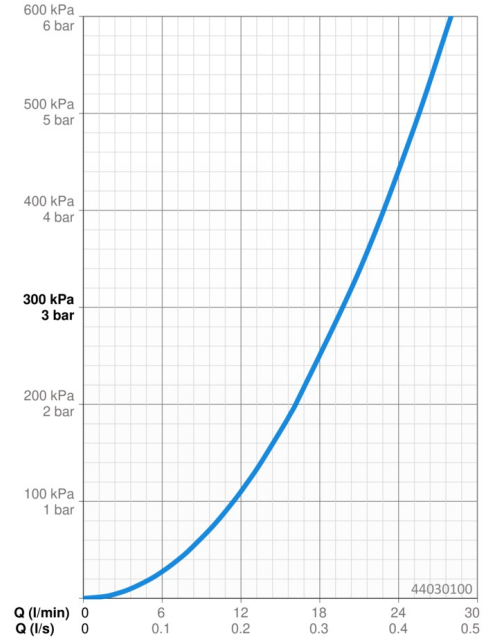
DN-size (nominal dimension) **DN15**  
 Hot water supply **max. +80°C**  
 Working pressure **1-10 bar**  
 Connection size **G1/2**  
 Backflow prevention (EN1717) **EB**  
 Material **Brass**

### Regulations

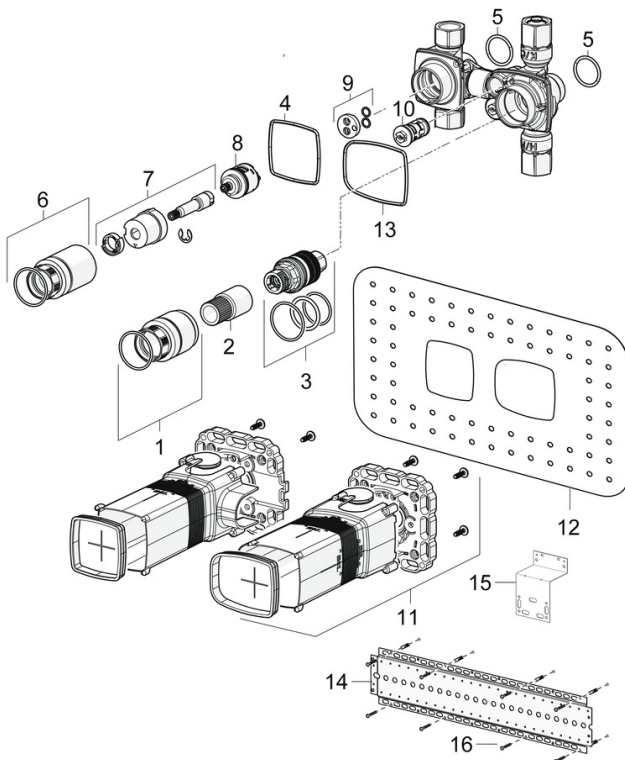
EN standard **EN 1111**  
 Noise class **I (ISO 3822)**

### Approvals and Declarations

Declaration of conformity **DoC**



## Spare parts



### SP44030100

	Name	Code
01	Screw sleeve, M36x1.5, SW30 Discontinued	59914699
02	Spindle	59914700
03	Thermostatic cartridge, 3.4	59914114
04	Gasket	59913685
05	O-ring, d 25x2.5	59905053
06	Screw sleeve, M36x1.5, SW30	59914696
07	Spindle	59914701
08	Diverter	59914183
09	Disc	59914698
10	One-way valve with litter screen	59913696
11	Installation box Discontinued	59913683
12	Gasket, 280x180	59913695
13	Gasket Discontinued	59913707
14	Assembling plate	44050000
15	Assembling plate	44050100
16	Screw set Discontinued	59913706
N.I.	Raising kit, 20 mm	59914625