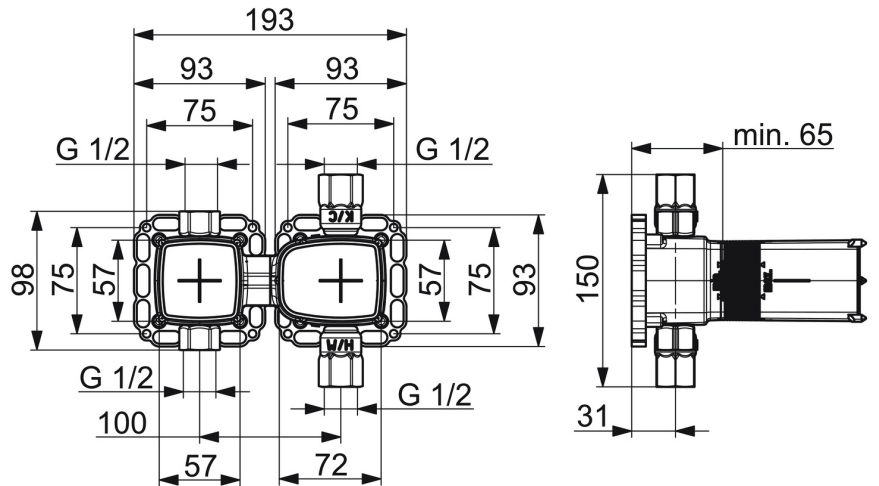
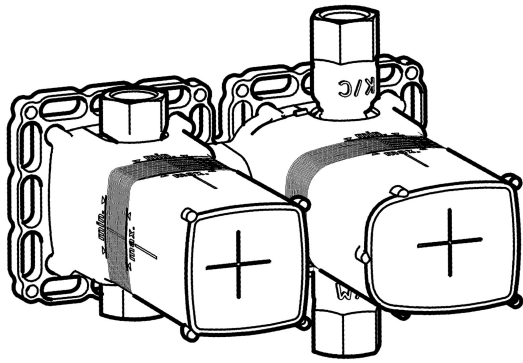


EAN: 4015474203013  
[static.hansa.com/44030000](http://static.hansa.com/44030000)



- Bathtub & Shower
- Concealed unit
- Concealed wall mounting
- Turn operated diverter
- Safety stop against scalding at 38°C
- Thermostatic cartridge for automatic temperature control, Litter filter(s), Non-return valve(s)
- Silencer(s)
- Inner body made of DZR brass
- Gasket sleeve for dry mortarless construction, Mounting box and cover sleeve, Multifix fastening system



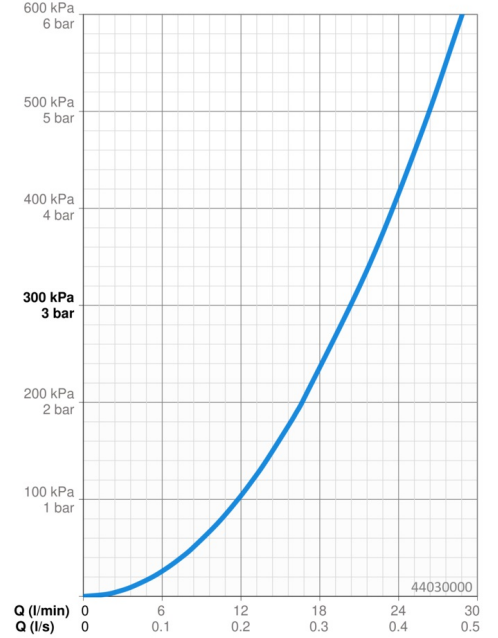
## Technical data

### Flow properties

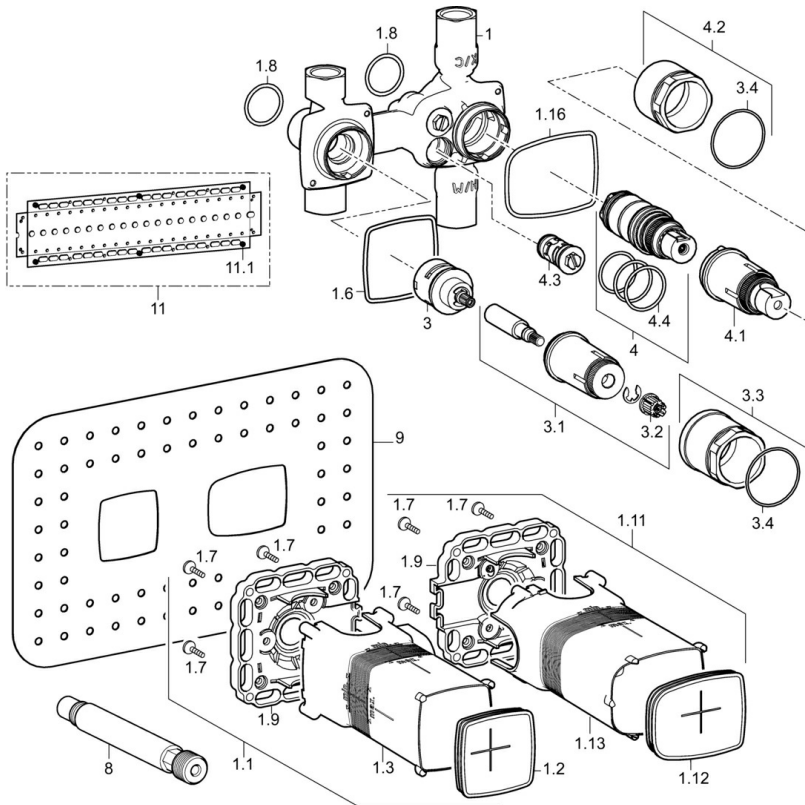
Flow-rate at 3 bar **20.4 / 20.4 l/min**

### Technical properties

DN-size (nominal dimension) **DN15**  
 Hot water supply **max. +80°C**  
 Working pressure **1-10 bar**  
 Backflow prevention (EN1717) **EB**



## Spare parts



### SP44030000

	Name	Code
1.1	Installation box Discontinued	59913683
1.6	Gasket	59913685
1.8	O-ring, d 25x2.5	59905053
1.11	Installation box Discontinued	59913694
1.16	Gasket Discontinued	59913707
3	Diverter	59913468
3.1	Spindle	59913689
3.2	Adapter White	59910235
3.3	Screw, M38x1, SW38	59913688
4	Thermostatic cartridge	59913311
4.1	Extension spindle	59913693
4.2	Screw, M38x1, SW38	59913692
4.3	One-way valve with litter screen	59913696
4.4	O-ring, d 26x2	59911081
8	Flush connector	59913589
9	Gasket, 280x180	59913695
N.I.	Raising kit, 20 mm	59913592
N.I.	Key, SW38/41	59912780
N.I.	Thermostatic cartridge, H/C reversed	59913463