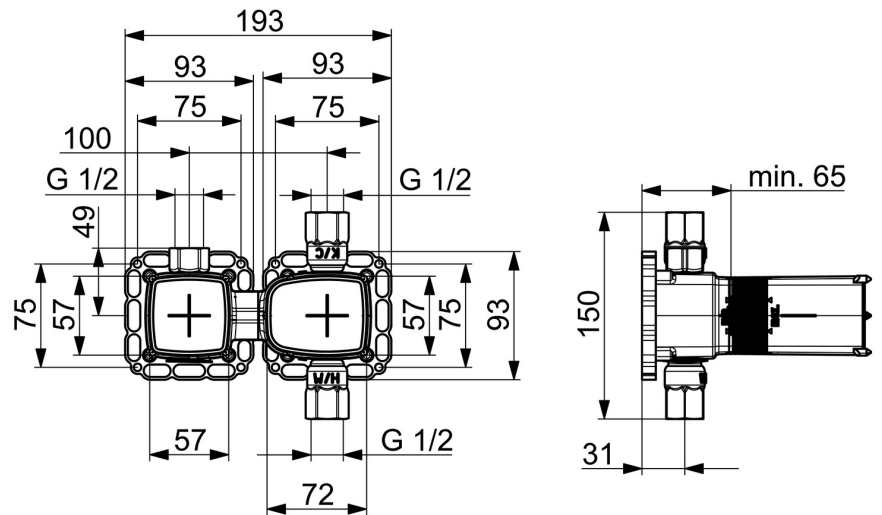
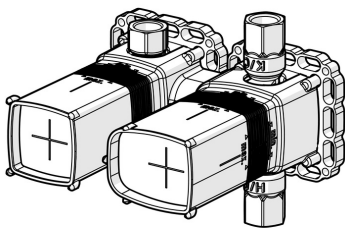


EAN: 4057304007255
static.hansa.com/44020100



- Shower solutions
- Concealed unit
- Concealed wall mounting
- Ceramic head part for flow control, Thermostatic cartridge for automatic temperature control, Non-return valve(s)
- Gasket sleeve for dry mortarless construction, Mounting box and cover sleeve



Technical data

Flow properties

Flow-rate at 3 bar **19.8 l/min**

Technical properties

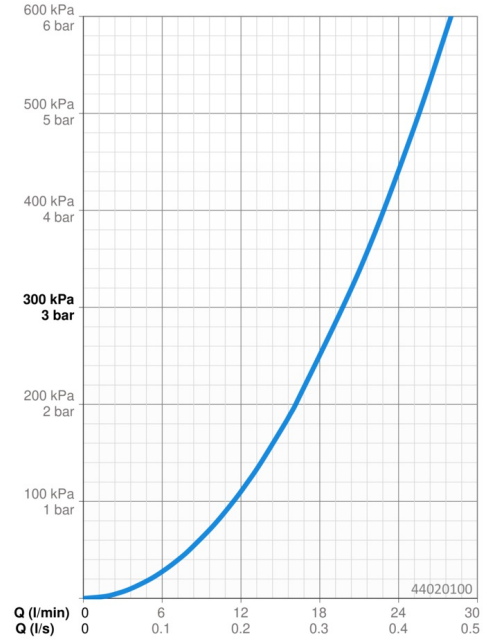
DN-size (nominal dimension) **DN15**
 Hot water supply **max. +80°C**
 Working pressure **1-10 bar**
 Material **Brass**

Regulations

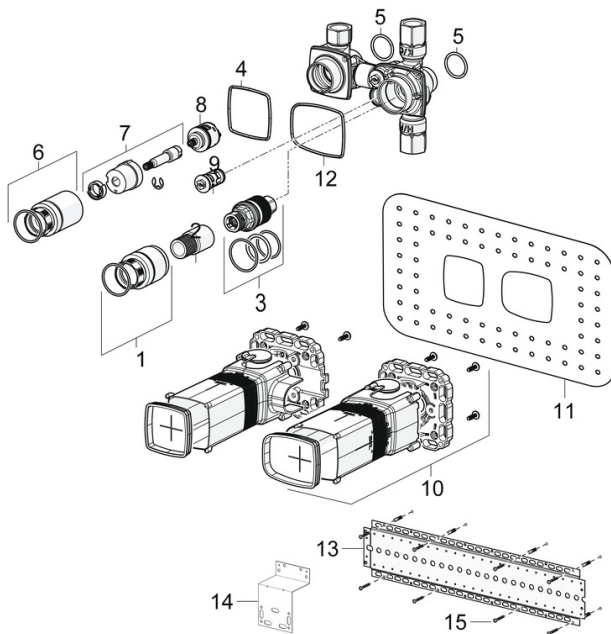
EN standard **EN 1111**
 Noise class **I (ISO 3822)**

Approvals and Declarations

Declaration of conformity **DoC**



Spare parts



SP44020100

	Name	Code
01	Screw sleeve, M36x1.5, SW30 Discontinued	59914699
02	Spindle	59914700
03	Thermostatic cartridge, 3.4	59914114
04	Gasket	59913685
05	O-ring, d 25x2.5	59905053
06	Screw sleeve, M36x1.5, SW30	59914696
07	Spindle	59914697
08	Diverter	59914183
09	One-way valve with litter screen	59913696
10	Installation box Discontinued	59913683
11	Gasket, 280x180	59913695
12	Gasket Discontinued	59913707
13	Assembling plate	44050000
14	Assembling plate	44050100
15	Screw set Discontinued	59913706
N.I.	Raising kit, 20 mm	59914625