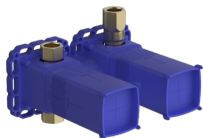
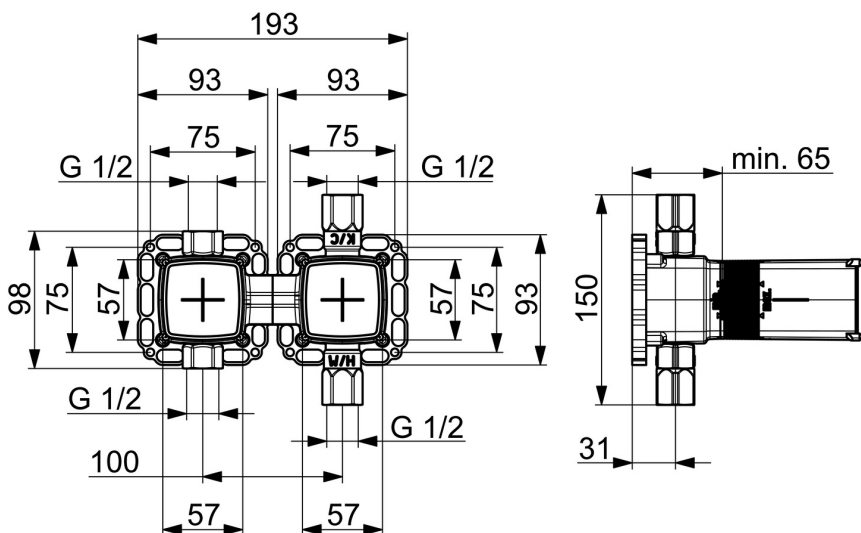
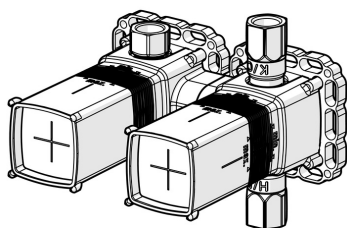


EAN: 4057304006937  
[static.hansa.com/44010100](http://static.hansa.com/44010100)



- Bathtub & Shower
- Concealed unit
- Concealed wall mounting
- Turn operated diverter
- Limitation option for maximum temperature and flow-rate, Adjustable hot water stop (included, retrofittable)
- $\phi$  40 mm ceramic cartridge for flow and temperature control
- Gasket sleeve for dry mortarless construction, Mounting box and cover sleeve
- Without trim kit



## Technical data

### Flow properties

Flow-rate at 3 bar **19.2 l/min**

### Technical properties

DN-size (nominal dimension) **DN15**  
 Hot water supply **max. +80°C**  
 Working pressure **1-10 bar**  
 Material **Brass**

### Regulations

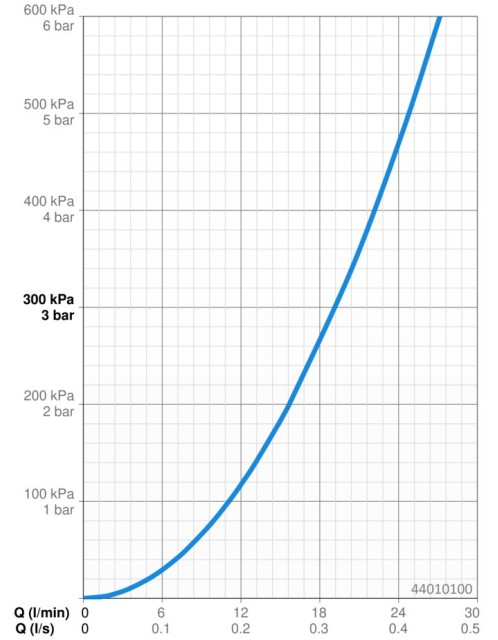
EN standard **EN 817**  
 Noise class **II (ISO 3822)**

### Approvals and Declarations

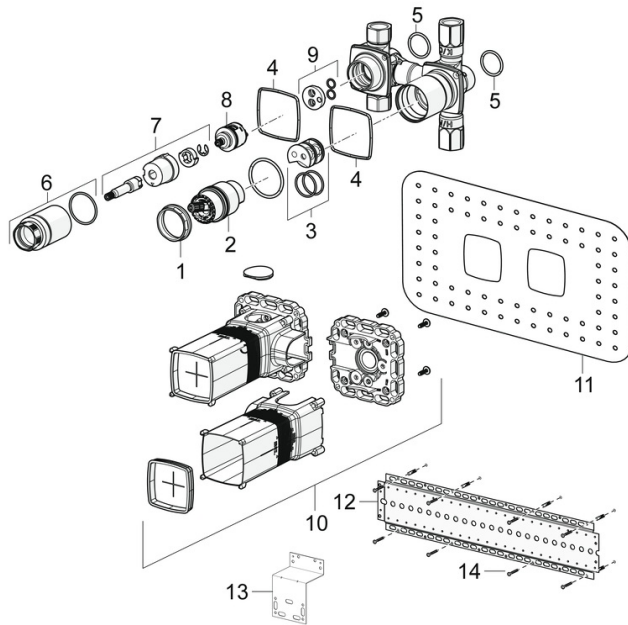
Declaration of conformity **DoC**  
 EPD **S-P-07751**

### Sustainability

EPD module A1 (kg CO2 eq.) **12,38**  
 EPD module A2 (kg CO2 eq.) **0,56**  
 EPD module A3 (kg CO2 eq.) **1,18**  
 EPD module A1-A3 (kg CO2 eq.) **14,13**  
 EPD module A4 (kg CO2 eq.) **0,31**  
 EPD module B7 (kg CO2 eq.) **5932,80**  
 EPD module C2 (kg CO2 eq.) **0,02**  
 EPD module C3 (kg CO2 eq.) **0,03**  
 EPD module C4 (kg CO2 eq.) **0,43**  
 EPD module D (kg CO2 eq.) **-10,17**



## Spare parts



### SP44010100

	Name	Code
01	Tightening nut, M42x1.5, SW 38	59914128
02	Cartridge, 4.0 Classic	59914129
03	Adapter	59914695
04	Gasket	59913685
05	O-ring, d 25x2.5	59905053
06	Screw sleeve, M36x1.5, SW30	59914696
07	Spindle	1003510V
08	Diverter	59914183
09	Disc	59914698
10	Installation box Discontinued	59913683
11	Gasket, 280x180	59913684
12	Assembling plate	44050000
13	Assembling plate	44050100
14	Screw set Discontinued	59913706
N.I.	Raising kit, 20 mm	59914624