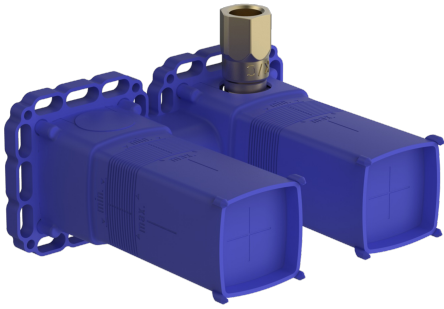
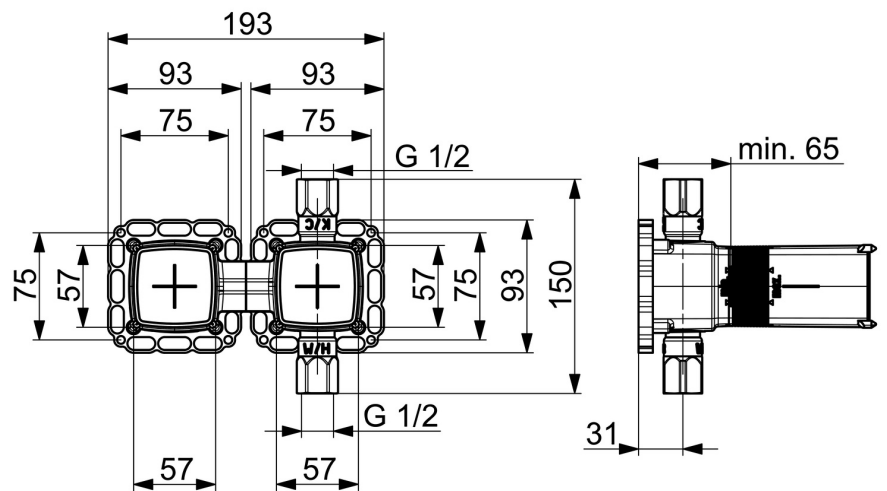
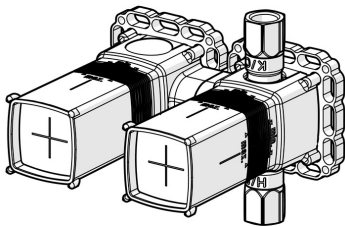


EAN: 4057304006661  
[static.hansa.com/44000100](http://static.hansa.com/44000100)



- Shower solutions
- Concealed unit
- Concealed wall mounting
- Limitation option for maximum temperature and flow-rate, Adjustable hot water stop (included, retrofittable)
- $\varnothing$  40 mm ceramic cartridge for flow and temperature control
- Inner body made of DZR brass
- Gasket sleeve for dry mortarless construction, Mounting box and cover sleeve, Multifix fastening system, Rotating installation option



## Technical data

### Flow properties

Flow-rate at 3 bar **21.6 l/min**

### Technical properties

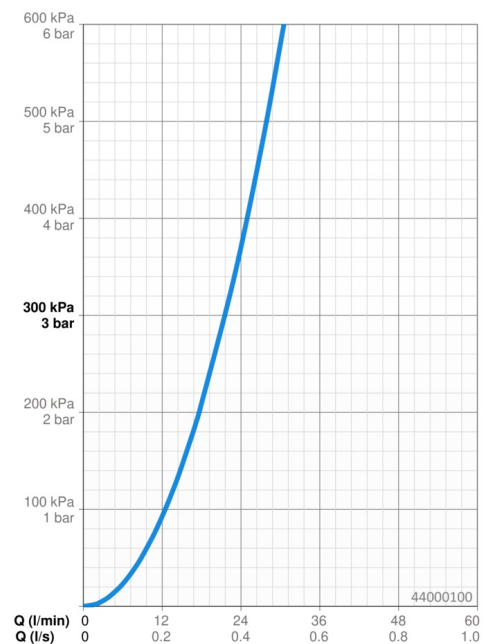
DN-size (nominal dimension) **DN15**  
 Hot water supply **max. +80°C**  
 Working pressure **1-10 bar**  
 Connection size **G1/2**  
 Material **Brass**

### Regulations

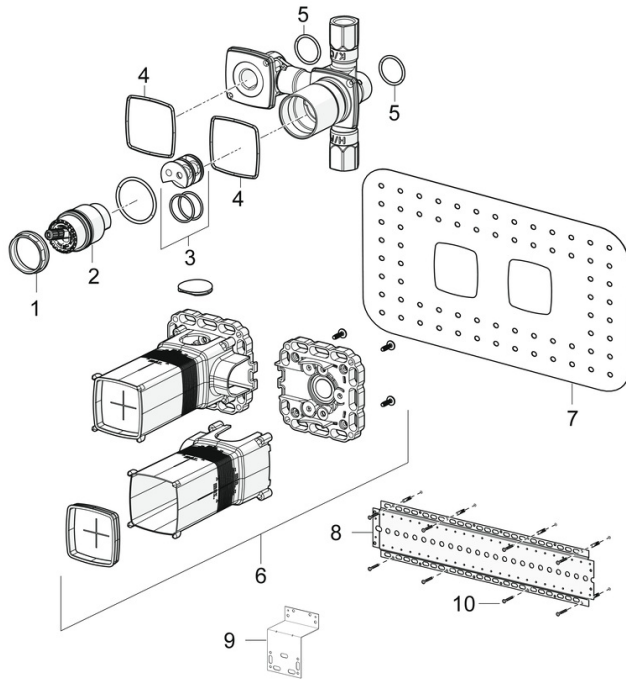
EN standard **EN 817**  
 Noise class **I (ISO 3822)**

### Approvals and Declarations

Declaration of conformity **DoC**



## Spare parts



### SP44000100

	Name	Code
01	Tightening nut, M42x1.5, SW 38	59914128
02	Cartridge, 4.0 Classic	59914129
03	Adapter	59914695
04	Gasket	59913685
05	O-ring, d 25x2.5	59905053
06	Installation box Discontinued	59913683
07	Gasket, 280x180	59913684
08	Assembling plate	44050000
09	Assembling plate	44050100
10	Screw set Discontinued	59913706
N.I.	Raising kit, 20 mm	59914624