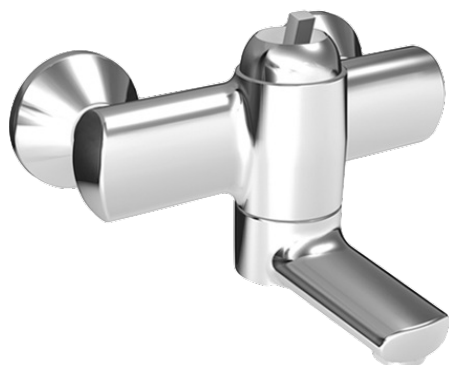
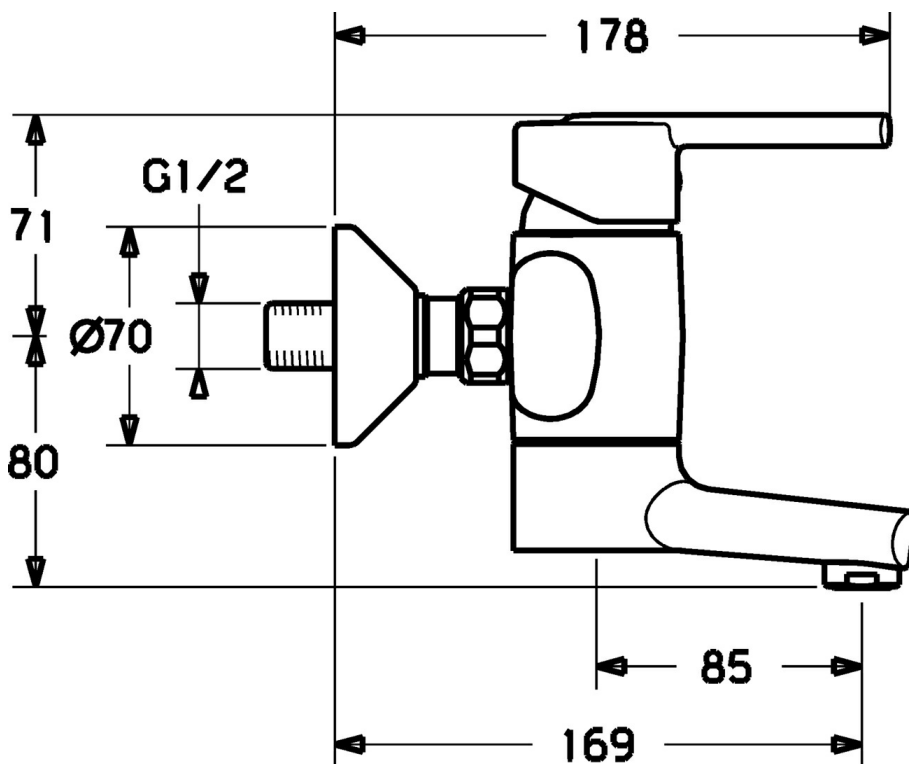


EAN: 4015474106802  
[static.hansa.com/43962200](https://static.hansa.com/43962200)



- Washbasin
- Single-lever
- Wall mounted
- Chrome
- Single operating lever/handle, Hot/Cold symbols
- Litter filter(s), Non-return valve(s)
- Silencer(s)



## Technical data

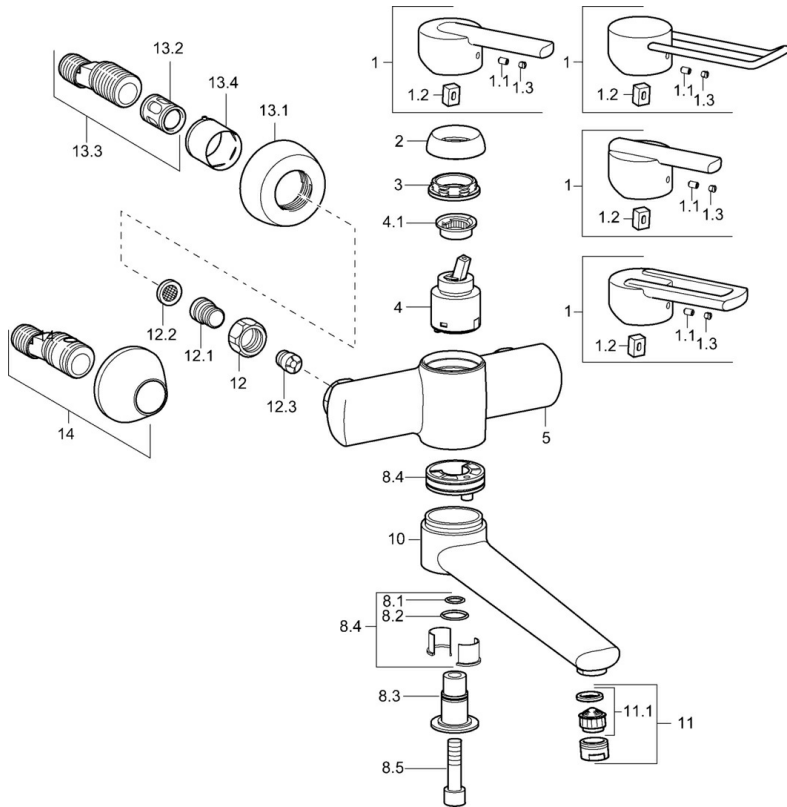
### Technical properties

Hot water supply	<b>max. +80°C</b>
Working pressure	<b>0.5-10 bar</b>
Backflow prevention (EN1717)	<b>EB</b>
Material	<b>Brass</b>

### Regulations

EN standard	<b>EN 817</b>
-------------	---------------

## Spare parts



### SP43692100

	Name	Code
1	Lever Discontinued	43880003
1	Lever Discontinued	43890005
1	Lever Discontinued	59913774
1	Lever, L=138 Discontinued	59913849
1.1	Screw, M5x8, SW2.5	59904755
1.2	Bushing	59904778
1.3	Symbol plug Grey	59912112
2	Covering cap Discontinued	59912797
3	Screw, M4x1, SW34 Discontinued	59912798
4	Cartridge, 4.0 Classic	59912791
4.1	Temperature adjustment limiter Discontinued	59912799
8.1	O-ring, d 14x2 Discontinued	59904823
8.2	O-ring, 20x2	59912435
8.3	Holder Discontinued	59912819
8.4	Maintenance set Discontinued	59912818
8.5	Screw, M12x35 Discontinued	59912817
10	Spout, L=225 Discontinued	59912822
10	Spout, L=85 Discontinued	59912820
11	Aerator, M24x1 STD HC A	59902366
11.1	Aerator, M22/24 A	59902081
12	Connection nut, G3/4, AF30	59902230
12.1	Nipple	59911075
12.2	Filter sealing, G3/4	59911076
12.3	Non-return valve	59905714
13.1	Cover flange	59912652
13.2	Silencer	59904792
13.3	Eccentric connector, G3/4xG1/2, DN15	59910254
13.4	Cover sleeve	59912651
14	Eccentric coupling with stop valves and cover plates, G1/2xG3/4	59902034
N.I.	Key, SW30/34	59912108