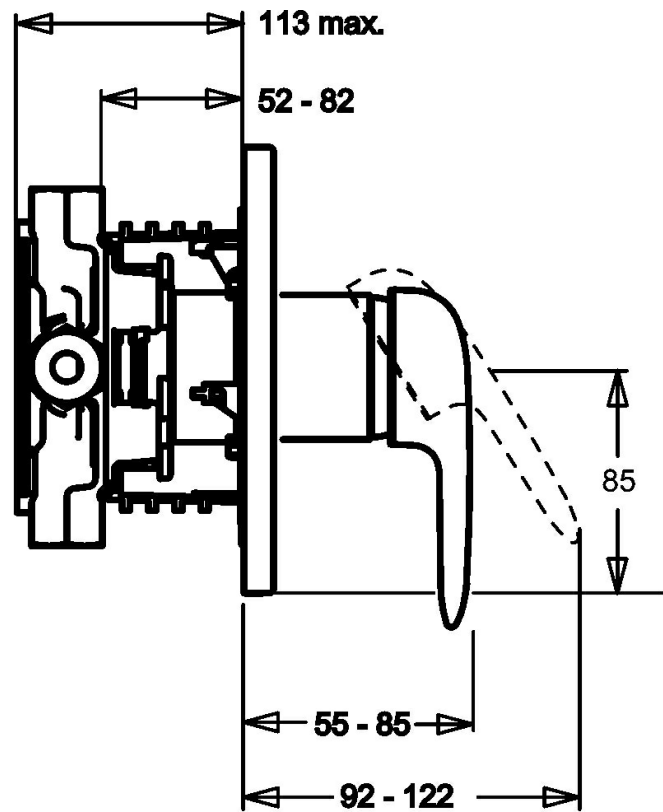


EAN: 4015474147362
static.hansa.com/43869540



- Shower solutions
- Single-lever
- Concealed wall mounting
- Chrome
- Single operating lever/handle, Hot/Cold symbols
- Limitation option for maximum temperature and flow-rate, Adjustable hot water stop (included, retrofittable)
- ϕ 48 mm ceramic eco cartridge for flow and temperature control



Technical data

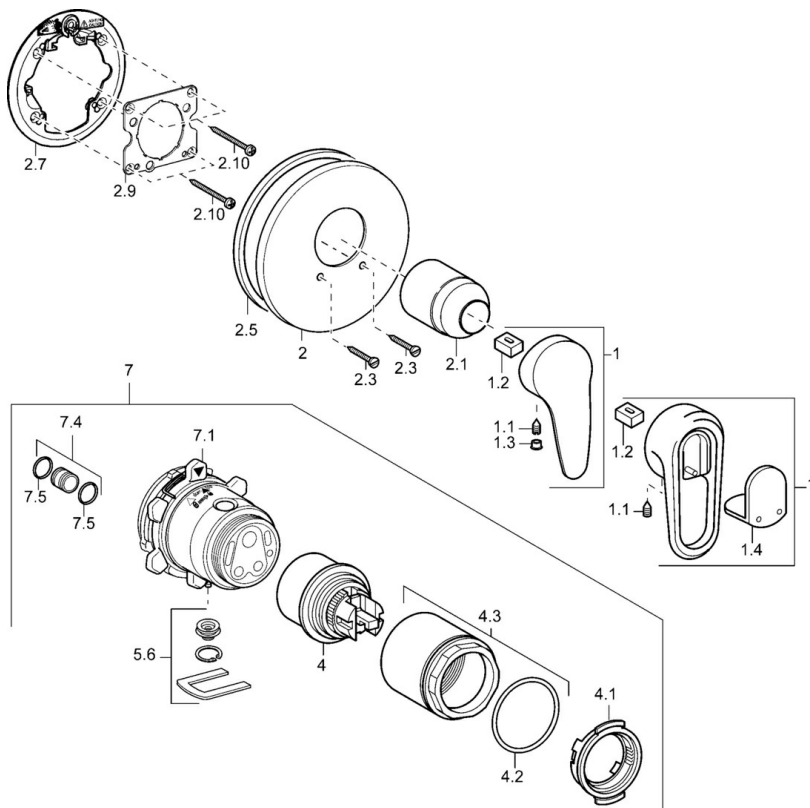
Technical properties

Hot water supply	max. +80°C
Working pressure	0.5-10 bar

Regulations

EN standard	EN 817
-------------	---------------

Spare parts



SP43869040

	Name	Code
1	Lever Chrome/Satin Discontinued	5990389592
1	Lever Chrome/Satin Discontinued	5990388292
1	Lever Discontinued	59913771
1	Lever, L=99 mm, (-2011)	59913768
1.1	Screw, M5x8, SW2.5	59904755
1.2	Bushing	59904778
1.3	Plug, hot/cold	59906705
1.4	Symbol plug Discontinued	59911468
2	Cover flange, d 56 mm	59913078
2	Cover flange, d 170/56 mm Discontinued	59912928
2	Cover flange, d 135 / d 56 mm Discontinued	59912882
2.1	Covering cap	59904820
2.3	Screw, M5x25	59912881
2.5	Rubber gasket	59913045
2.7	Fixing part	59912888
2.9	Fixing plate	59913034
2.10	Screw, M4.5x80	59912890
4	Cartridge, 4.8 eco	59904601
4.1	Hot water limiter	59904759
4.2	O-ring, 50.52x1.78	59906841
4.3	Eye screw, M50x1, SW45	59912980
5.6	Plug	59912981
7	Body for shower faucet Discontinued	59912897
7	Functional unit Discontinued	59912907
7.1	Blind nut	59912984
7.4	Connection nipple, (2014-)	59913885
7.5	O-ring, d 14x2	59912982
N.I.	Raising kit, 20 mm	59912754