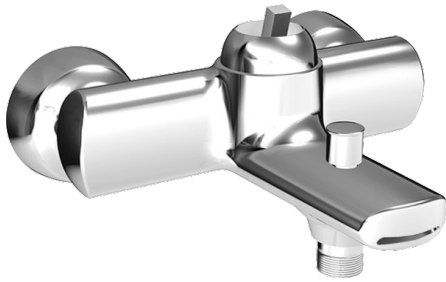
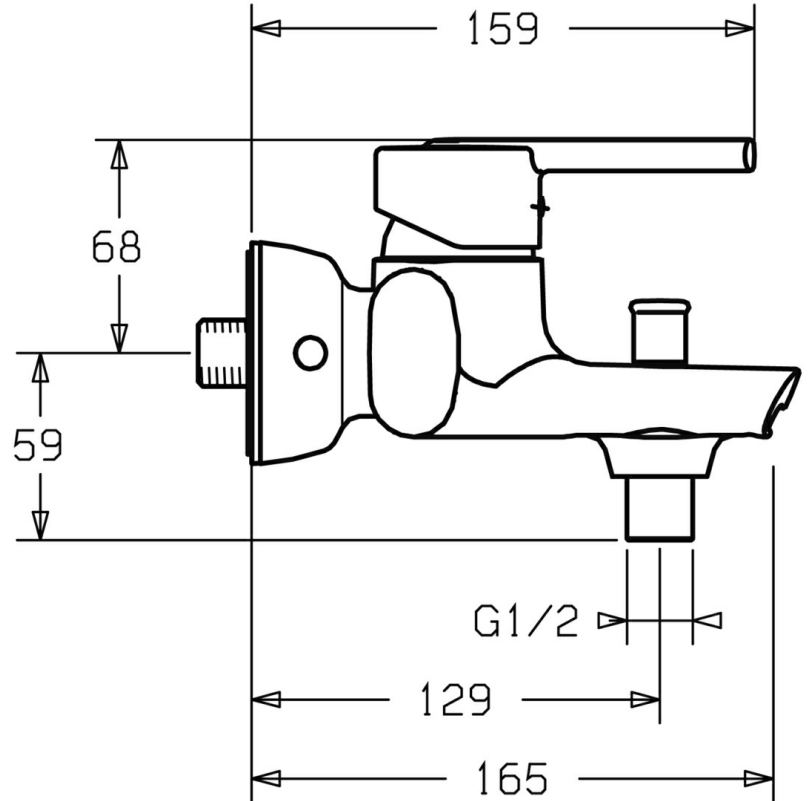
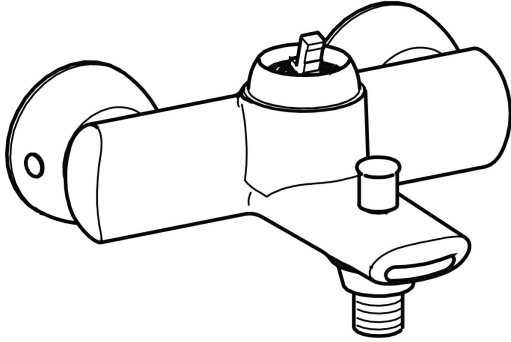


EAN: 4015474140974  
[static.hansa.com/43792100](http://static.hansa.com/43792100)



- Bathtub & Shower
- Single-lever
- Wall mounted
- Chrome
- Standard aerator
- Single operating lever/handle, Hot/Cold symbols
- Non-return valve(s)
- protected against back-flow in domestic use (according to DIN EN 1717)



## Technical data

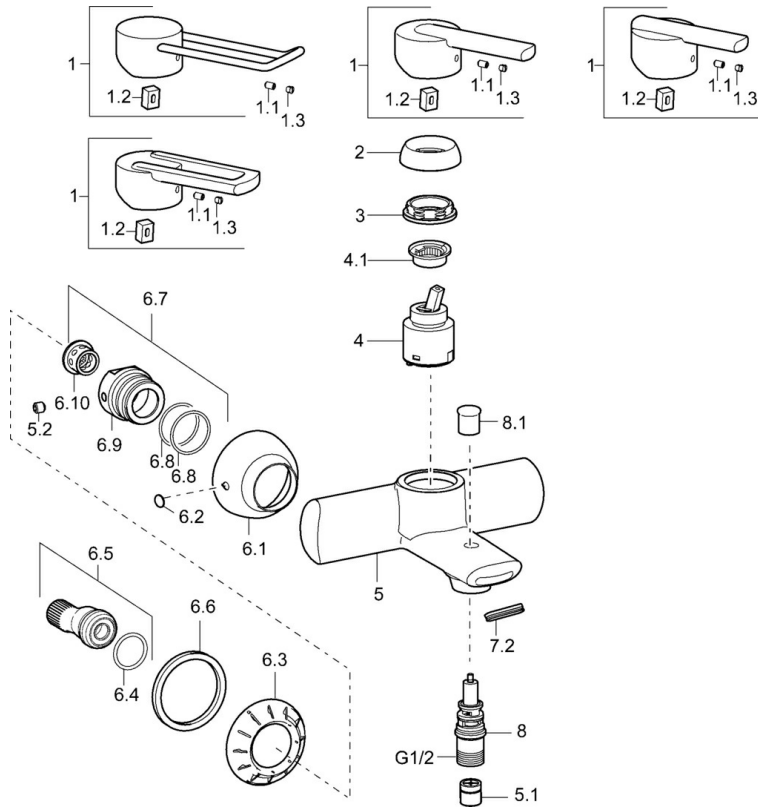
### Technical properties

Hot water supply	<b>max. +80°C</b>
Working pressure	<b>0.5-10 bar</b>
Backflow prevention (EN1717)	<b>EB</b>

### Regulations

EN standard	<b>EN 817</b>
-------------	---------------

## Spare parts



### SP43792100

	Name	Code
1	Lever, L=138 Discontinued	59913849
1	Lever Discontinued	43880003
1	Lever Discontinued	43890005
1	Lever Discontinued	59913774
1.1	Screw, M5x8, SW2.5	59904755
1.2	Bushing	59904778
1.3	Symbol plug Grey	59912112
2	Covering cap Discontinued	59912797
3	Screw, M4x1, SW34 Discontinued	59912798
4	Cartridge, 4.0 Classic	59912791
4.1	Temperature adjustment limiter Discontinued	59912799
5.2	Screw, M8x8	59906104
6.1	Cover flange Discontinued	59912800
6.2	Plug Discontinued	59911480
6.3	Adapter Discontinued	59911486
6.4	O-ring, 25.07x2.62	59911479
6.5	Connector, G1/2	59911491
6.6	Gasket, 52x63x5 Discontinued	59911798
6.7	Gasket, 52x63x5 Discontinued	59911798
6.8	O-ring, d 32x2	59912803
7.2	Aerator	59913082
8	Diverter	59912706
8.1	Diverter knob	59912801
N.I.	Key, SW30/34	59912108