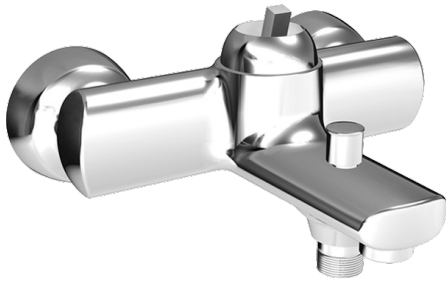
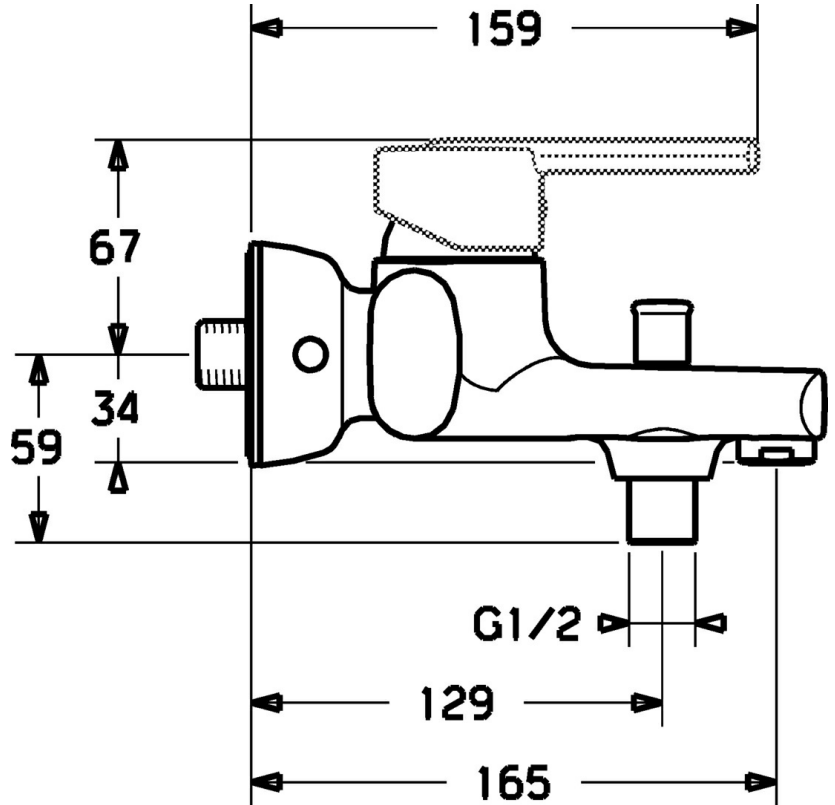
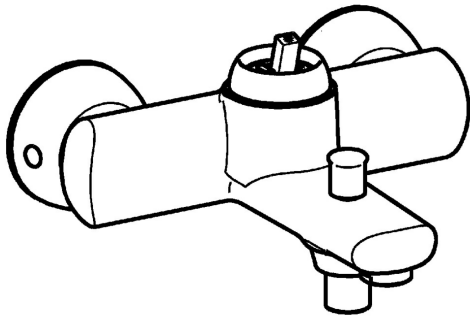


EAN: 4015474100602
static.hansa.com/43742100



- Bathtub & Shower
- Single-lever
- Wall mounted
- Chrome
- Standard aerator
- Single operating lever/handle, Hot/Cold symbols
- Non-return valve(s)
- protected against back-flow in domestic use (according to DIN EN 1717)



Technical data

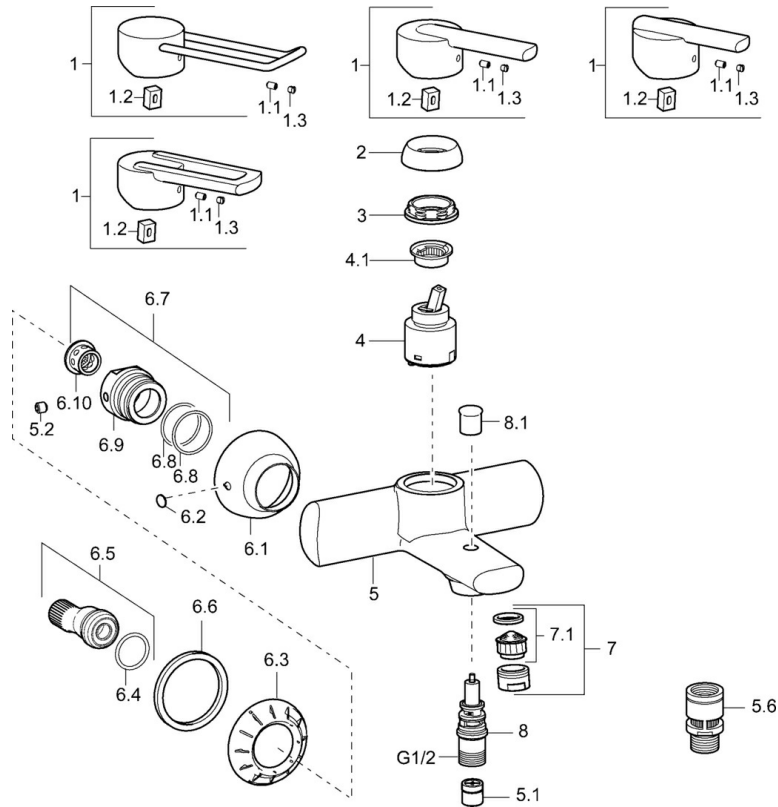
Technical properties

Hot water supply	max. +80°C
Working pressure	0.5-10 bar
Backflow prevention (EN1717)	EB

Regulations

EN standard	EN 817
-------------	--------

Spare parts



SP43742100

	Name	Code
1	Lever, L=138 Discontinued	59913849
1	Lever Discontinued	43880003
1	Lever Discontinued	59913774
1	Lever Discontinued	43890005
1.1	Screw, M5x8, SW2.5	59904755
1.2	Bushing	59904778
1.3	Symbol plug Grey	59912112
2	Covering cap Discontinued	59912797
3	Screw, M4x1, SW34 Discontinued	59912798
4	Cartridge, 4.0 Classic	59912791
4.1	Temperature adjustment limiter Discontinued	59912799
5.2	Screw, M8x8	59906104
5.6	Vacuum breaker, DN15	59911330
6.1	Cover flange Discontinued	59912800
6.2	Plug Discontinued	59911480
6.3	Adapter Discontinued	59911486
6.4	O-ring, 25.07x2.62	59911479
6.5	Connector, G1/2	59911491
6.6	Gasket, 52x63x5 Discontinued	59911798
6.7	Nipple, M16x1, SW10 Discontinued	59912802
6.8	O-ring, d 32x2	59912803
7	Aerator, M24x1 B	59905872
7.1	Aerator, M22/M24	59905873
8	Diverter	59912706
8.1	Diverter knob	59912801
N.I.	Key, SW30/34	59912108