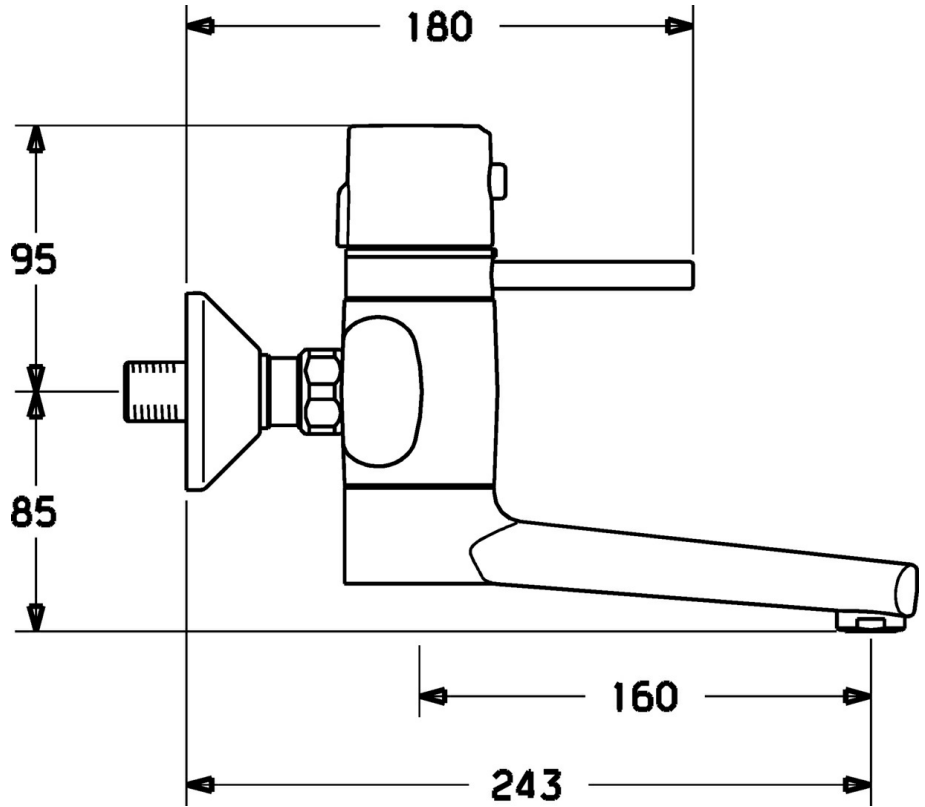


EAN: 4015474107984
static.hansa.com/43732201



- Washbasin
- Thermostatic
- Wall mounted
- Chrome
- Temperature control handle, Flow control handle
- Thermostatic cartridge for automatic temperature control, Litter filter(s), Non-return valve(s)



Technical data

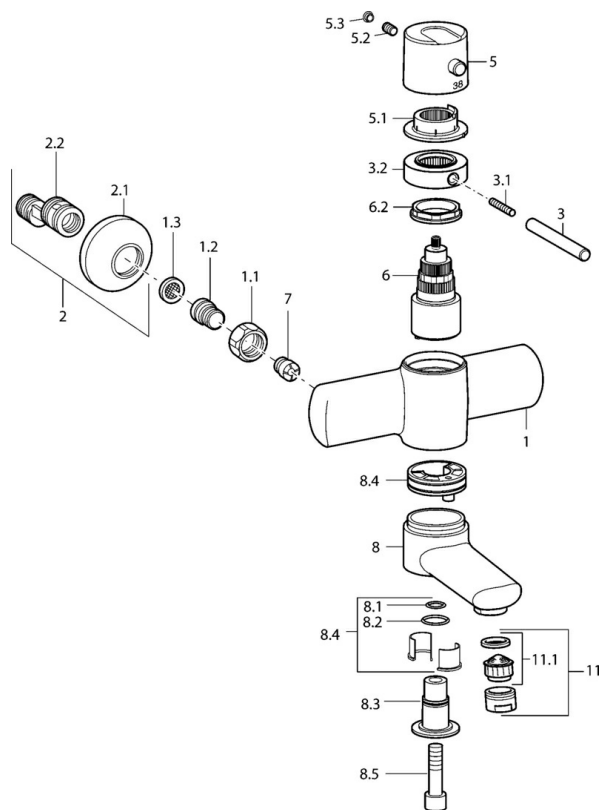
Technical properties

| | |
|------------------------------|-------------------|
| Hot water supply | max. +80°C |
| Working pressure | 1-10 bar |
| Backflow prevention (EN1717) | EB |
| Material | Brass |

Regulations

| | |
|-------------|----------------|
| EN standard | EN 1111 |
|-------------|----------------|

Spare parts



SP43702201

| | Name | Code |
|------|---|------------|
| 1.1 | Connection nut, G3/4, AF30 | 59902230 |
| 1.2 | Nipple | 59911075 |
| 1.3 | Filter sealing, G3/4 | 59911076 |
| 2 | Eccentric coupling with stop valves and cover plates, G1/2xG3/4 | 59902034 |
| 2.1 | Cover flange | 59904796 |
| 3 | Lever, 80 mm | 59912128 |
| 3.1 | Screw, M6x20 | 59911228 |
| 3.2 | Lock ring Discontinued | 59912811 |
| 5 | Lever Discontinued | 59912810 |
| 5.1 | Retaining ring Discontinued | 59912809 |
| 5.2 | Screw, M6x9.5 | 59901609 |
| 5.3 | Cover plug | 59911840 |
| 6 | Thermostatic cartridge, 4.0 Discontinued | 5990450101 |
| 6.2 | Eye screw, M42x1, SW38 Discontinued | 59912812 |
| 7 | Non-return valve | 59905714 |
| 8 | Spout, L=85 Discontinued | 59912820 |
| 8 | Spout, L=225 Discontinued | 59912822 |
| 8.1 | O-ring, d 14x2 Discontinued | 59904823 |
| 8.2 | O-ring, 20x2 | 59912435 |
| 8.3 | Holder Discontinued | 59912819 |
| 8.4 | Maintenance set Discontinued | 59912818 |
| 8.5 | Screw, M12x35 Discontinued | 59912817 |
| 11 | Aerator, M24x1 STD HC A | 59902366 |
| 11.1 | Aerator, M22/24 A | 59902081 |
| N.I. | Key, SW38/41 | 59912780 |