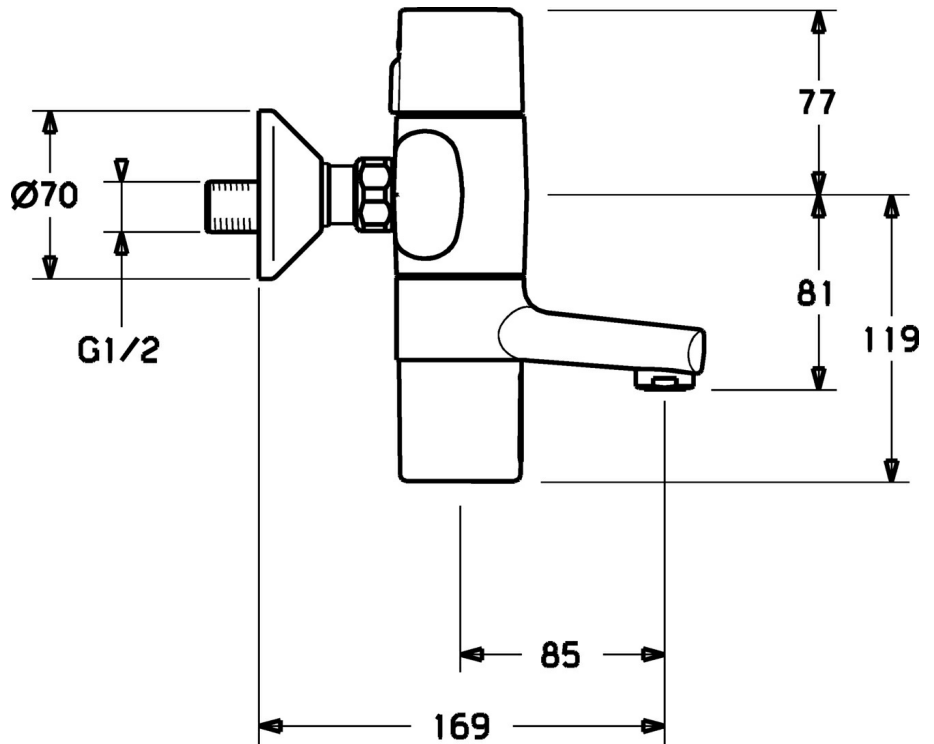


EAN: 4015474110694  
[static.hansa.com/43722200](http://static.hansa.com/43722200)



- Health & Care
- Thermostatic, Touchless
- Wall mounted
- Chrome
- Temperature control handle, Flow control handle
- Thermostatic cartridge for automatic temperature control, Litter filter(s), Non-return valve(s)



## Technical data

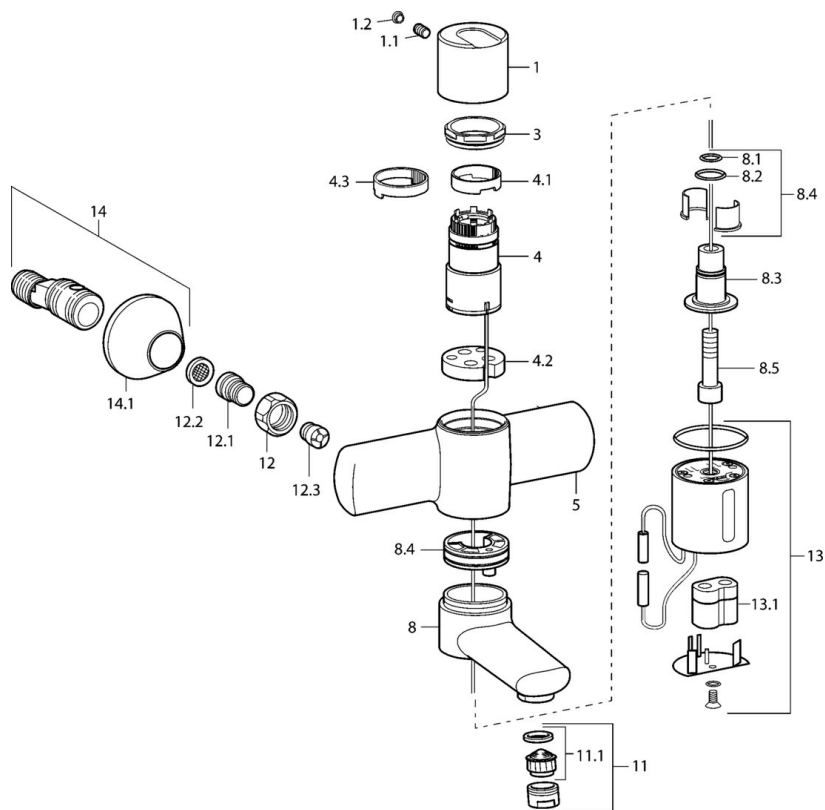
### Technical properties

Hot water supply	<b>max. +70°C</b>
Working pressure	<b>0.5-10 bar</b>
Connection size	<b>G1/2</b>
Backflow prevention (EN1717)	<b>EB</b>
Material	<b>Brass</b>

### Regulations

EN standard	<b>EN 1111, EN 15091</b>
Protection class	<b>IP 55</b>

## Spare parts



### SP43722200

	Name	Code
1	Lever Discontinued	59912917
1.1	Screw, M6x5, SW3	59912916
1.2	Cover plug	59911840
3	Screw, M42x1, SW41 Discontinued	59912918
4	Solenoid valve Discontinued	5991224001
4.1	Covering ring Discontinued	59912920
4.2	Intermediate floor Discontinued	59912921
8	Spout, L=85 Discontinued	59912820
8.1	O-ring, d 14x2 Discontinued	59904823
8.2	O-ring, 20x2	59912435
8.3	Holder Discontinued	59912919
8.4	Maintenance set Discontinued	59912818
8.5	Screw, M12x35 Discontinued	59912817
11	Aerator, M24x1 Z	59906826
11.1	Aerator, M22/24, Z	59906830
12	Connection nut, G3/4, AF30	59902230
12.1	Nipple	59911075
12.2	Filter sealing, G3/4	59911076
12.3	Non-return valve	59905714
13	Sensor Discontinued	59912774
13.1	Lithium battery, DL223A /CR-P2	59912443
14	Eccentric coupling with stop valves and cover plates, G1/2xG3/4	59902034
14.1	Cover flange	59904796
N.I.	Key, SW38/41	59912780