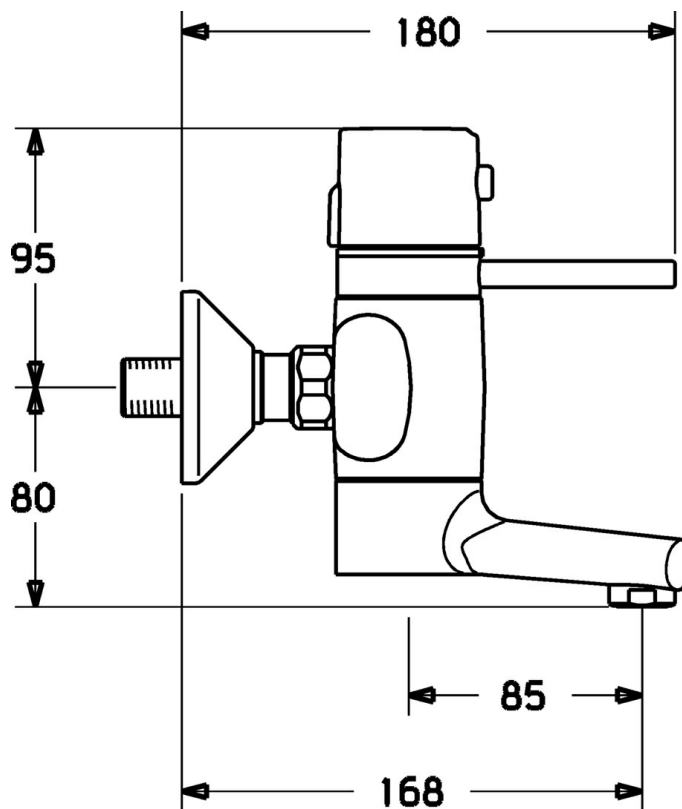


EAN: 4015474107953
static.hansa.com/43702201



- Kitchen
- Thermostatic
- Wall mounted
- Chrome
- Temperature control handle, Flow control handle
- Thermostatic cartridge for automatic temperature control, Litter filter(s), Non-return valve(s)



Technical data

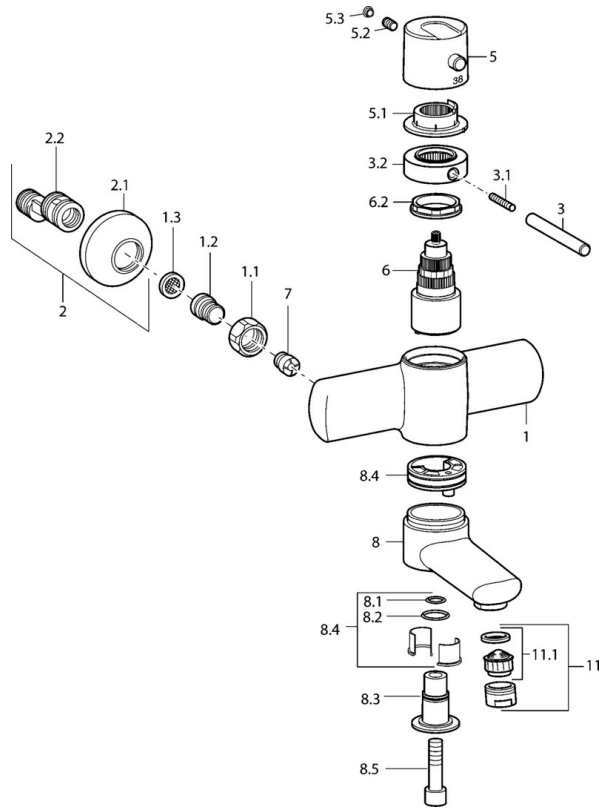
Technical properties

Hot water supply	max. +80°C
Working pressure	1-10 bar
Backflow prevention (EN1717)	EB
Material	Brass

Regulations

EN standard	EN 1111
-------------	----------------

Spare parts



SP43702201

	Name	Code
1.1	Connection nut, G3/4, AF30	59902230
1.2	Nipple	59911075
1.3	Filter sealing, G3/4	59911076
2	Eccentric coupling with stop valves and cover plates, G1/2xG3/4	59902034
2.1	Cover flange	59904796
3	Lever, 80 mm	59912128
3.1	Screw, M6x20	59911228
3.2	Lock ring Discontinued	59912811
5	Lever Discontinued	59912810
5.1	Retaining ring Discontinued	59912809
5.2	Screw, M6x9.5	59901609
5.3	Cover plug	59911840
6	Thermostatic cartridge, 4.0 Discontinued	5990450101
6.2	Eye screw, M42x1, SW38 Discontinued	59912812
7	Non-return valve	59905714
8	Spout, L=85 Discontinued	59912820
8	Spout, L=225 Discontinued	59912822
8.1	O-ring, d 14x2 Discontinued	59904823
8.2	O-ring, 20x2	59912435
8.3	Holder Discontinued	59912819
8.4	Maintenance set Discontinued	59912818
8.5	Screw, M12x35 Discontinued	59912817
11	Aerator, M24x1 STD HC A	59902366
11.1	Aerator, M22/24 A	59902081
N.I.	Key, SW38/41	59912780