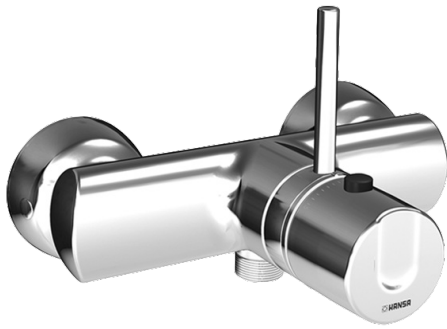
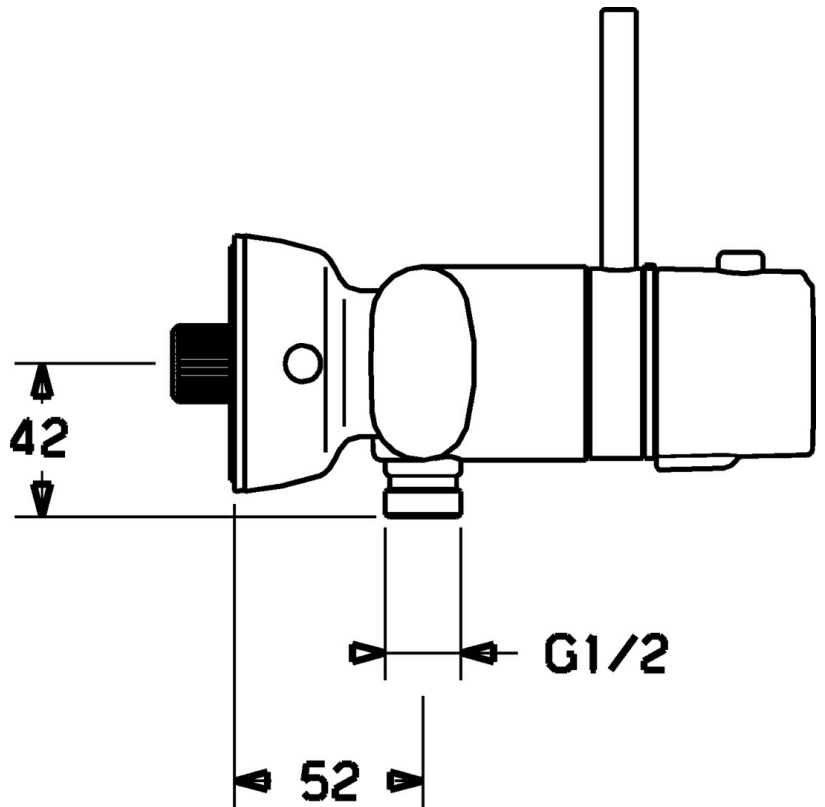


EAN: 4015474107113
static.hansa.com/43680100



- Shower solutions
- Thermostatic
- Wall mounted
- Chrome
- Temperature control handle, Flow control handle
- Thermostatic cartridge for automatic temperature control, Litter filter(s), Non-return valve(s)
- protected against back-flow in domestic use (according to DIN EN 1717)



Technical data

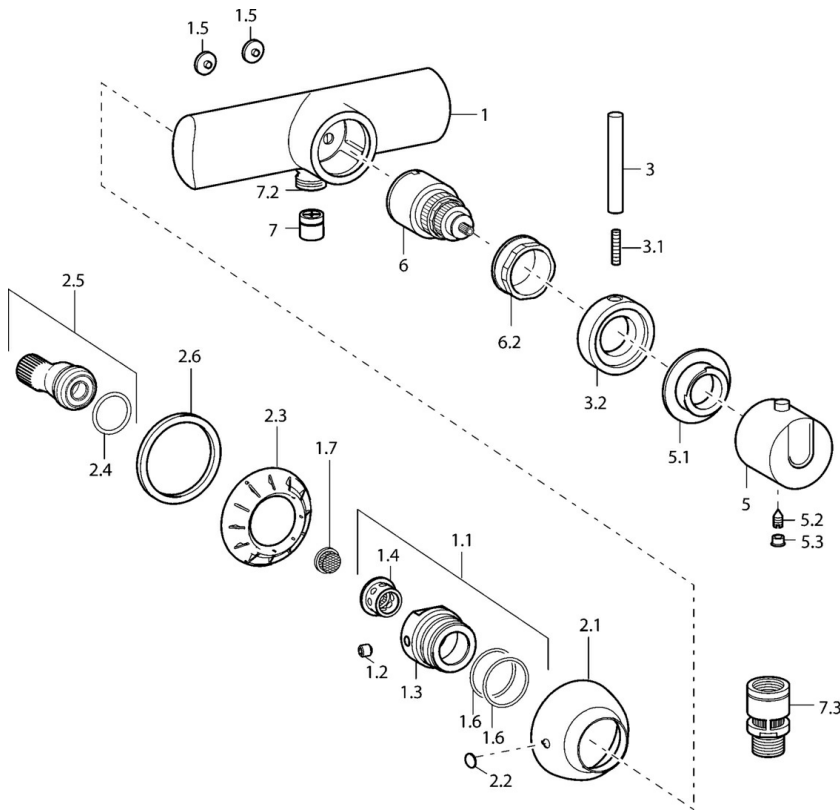
Technical properties

Hot water supply	max. +80°C
Working pressure	1-10 bar
Backflow prevention (EN1717)	EB

Regulations

EN standard	EN 1111
-------------	----------------

Spare parts



SP43680100

Name	Code
1.1 Nipple, M16x1, SW10 Discontinued	59912802
1.2 Screw, M8x8	59906104
1.5 Cover flange	59912652
1.6 O-ring, d 32x2	59912803
1.7 Litter filter	59911684
2.1 Cover flange Discontinued	59912800
2.2 Plug Discontinued	59911480
2.3 Adapter Discontinued	59911486
2.4 O-ring, 25.07x2.62	59911479
2.5 Connector, G1/2	59911491
2.6 Gasket, 52x63x5 Discontinued	59911798
3 Lever, 80 mm	59912128
3.1 Screw, M6x20	59911228
3.2 Lock ring Discontinued	59912811
5 Lever Discontinued	59912813
5.1 Retaining ring Discontinued	59912809
5.2 Screw, M6x9.5	59901609
5.3 Cover plug	59911840
6 Thermostatic cartridge, 4.0 Discontinued	5990450101
6.2 Eye screw, M42x1, SW38 Discontinued	59912812
7 Non-return valve	59905714
7.2 Thread nipple, G1/2xM18x1	59911384
7.3 Vacuum breaker, DN15	59911330
N.I. Key, SW38/41	59912780