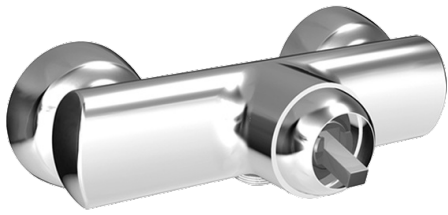
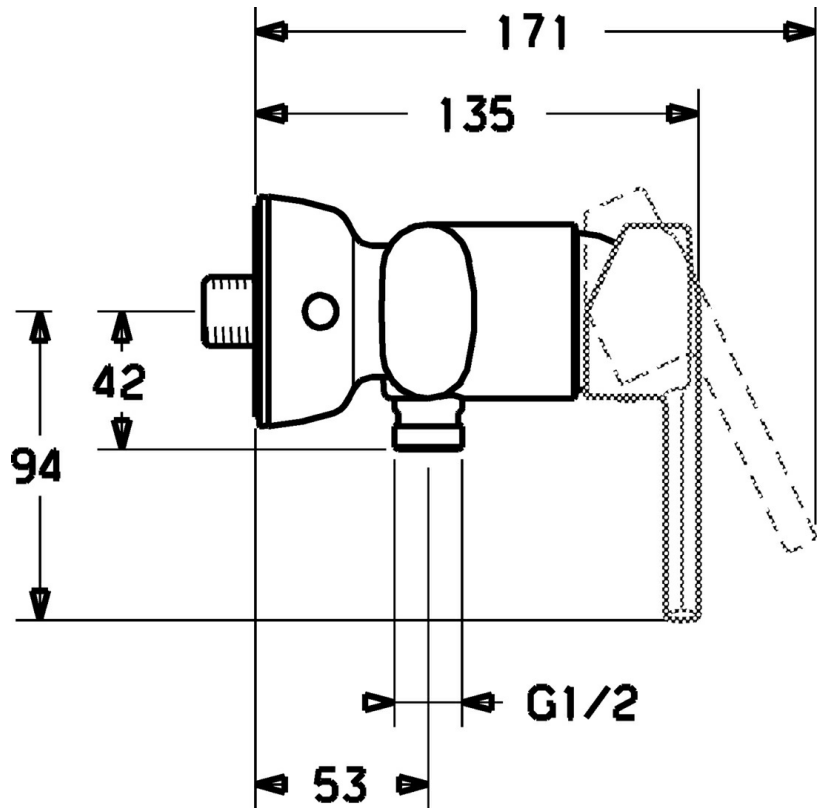
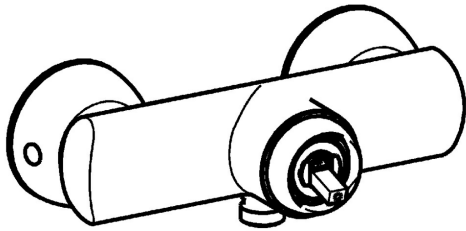


EAN: 4015474100596  
[static.hansa.com/43670100](https://static.hansa.com/43670100)



- Shower solutions
- Single-lever
- Wall mounted
- Chrome
- Single operating lever/handle, Hot/Cold symbols
- Non-return valve(s)
- protected against back-flow in domestic use (according to DIN EN 1717)



## Technical data

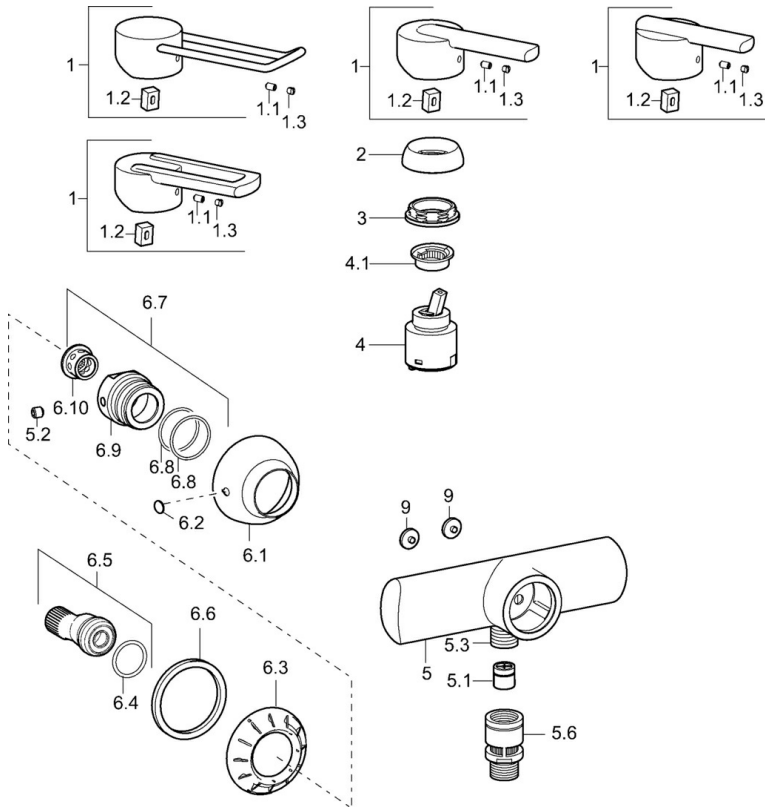
### Technical properties

Hot water supply	<b>max. +80°C</b>
Working pressure	<b>0.5-10 bar</b>
Backflow prevention (EN1717)	<b>EB</b>

### Regulations

EN standard	<b>EN 817</b>
-------------	---------------

## Spare parts



### SP43670100

	Name	Code
1	Lever, L=138 Discontinued	59913849
1	Lever Discontinued	59913774
1	Lever Discontinued	43880003
1	Lever Discontinued	43890005
1.1	Screw, M5x8, SW2.5	59904755
1.2	Bushing	59904778
1.3	Symbol plug Grey	59912112
2	Covering cap Discontinued	59912797
3	Screw, M42x1, SW34 Discontinued	59912798
4	Cartridge, 4.0 Classic	59912791
4.1	Temperature adjustment limiter Discontinued	59912799
5.1	Non-return valve	59905714
5.2	Screw, M8x8	59906104
5.3	Thread nipple, G1/2xM18x1	59911384
5.6	Vacuum breaker, DN15	59911330
6.1	Cover flange Discontinued	59912800
6.2	Plug Discontinued	59911480
6.3	Adapter Discontinued	59911486
6.4	O-ring, 25.07x2.62	59911479
6.5	Connector, G1/2	59911491
6.6	Gasket, 52x63x5 Discontinued	59911798
6.7	Nipple, M16x1, SW10 Discontinued	59912802
6.8	O-ring, d 32x2	59912803
9	Plug Grey Discontinued	59912654
N.I.	Cover flange	59904796
N.I.	Eccentric coupling with stop valves and cover plates, G1/2xG3/4	59902034
N.I.	Key, SW30/34	59912108