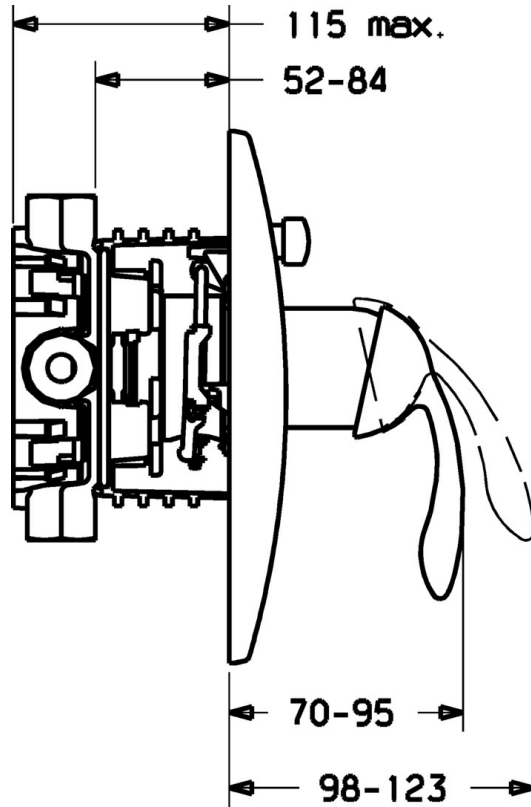
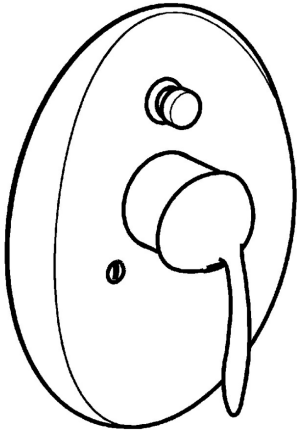


EAN: 4015474115026
static.hansa.com/43643001



- Bathtub & Shower
- Single-lever, Trim Kit
- Concealed wall mounting
- Chrome
- Single operating lever/handle, Hot/Cold symbols
- Non-return valve(s)



Technical data

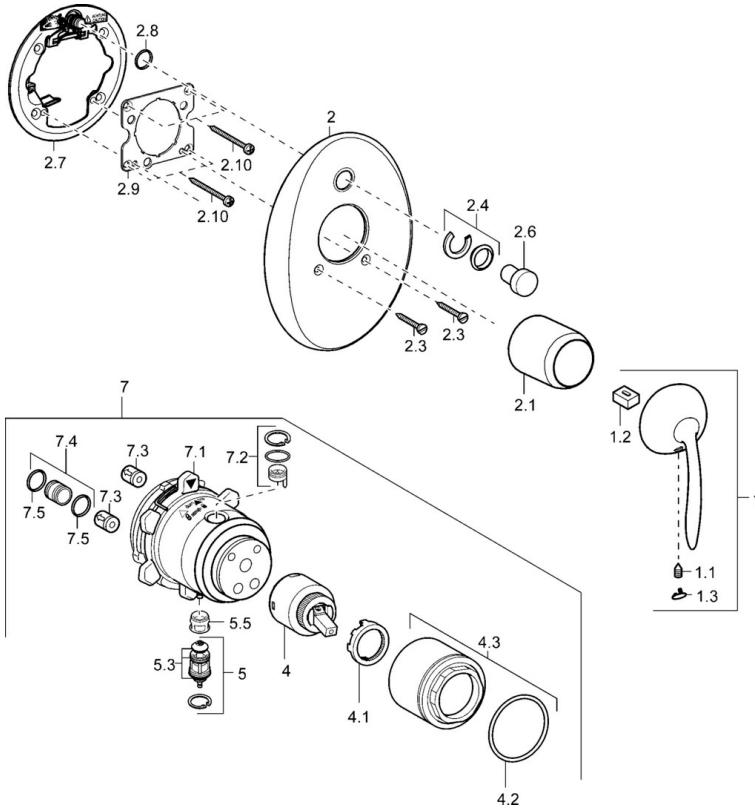
Technical properties

Hot water supply	max. +80°C
Working pressure	0.5-10 bar
Backflow prevention (EN1717)	EB

Regulations

EN standard	EN 817
-------------	---------------

Spare parts



SP43643001

	Name	Code
1	Lever Discontinued	59912864
1.1	Screw, M5x8, SW2.5	59904755
1.2	Bushing	59904778
1.3	Plug Discontinued	59911480
2	Cover flange Discontinued	59912938
2.1	Covering cap Discontinued	59912885
2.3	Screw, M5x25	59912881
2.4	Flow limiting cap	59912924
2.6	Snap	59912926
2.7	Diverter Discontinued	59913036
2.8	O-ring, d 7.65x1.78	59902337
2.9	Fixing plate	59913034
2.10	Screw, M4.5x80	59912890
4	Cartridge, 4.0 Classic	59912791
4.1	Temperature adjustment limiter Discontinued	59912799
4.2	O-ring, d 40x2	59911507
4.3	Eye screw, M42x1, SW34 Discontinued	59912987
5	Diverter	59912985
5.3	Sealing kit Discontinued	59912997
5.5	Seat	59912229
7	Functional unit, H/C reversed Discontinued	59912977
7	Functional unit, 4.0 Discontinued	59912902
7.1	Blind nut	59912984
7.2	Valve	59912986
7.3	Non-return valve	59905714
7.4	Connection nipple, (2014-)	59913885
7.5	O-ring, d 14x2	59912982
N.I.	Raising kit, 20 mm	59912754