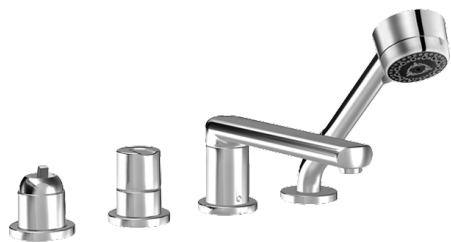
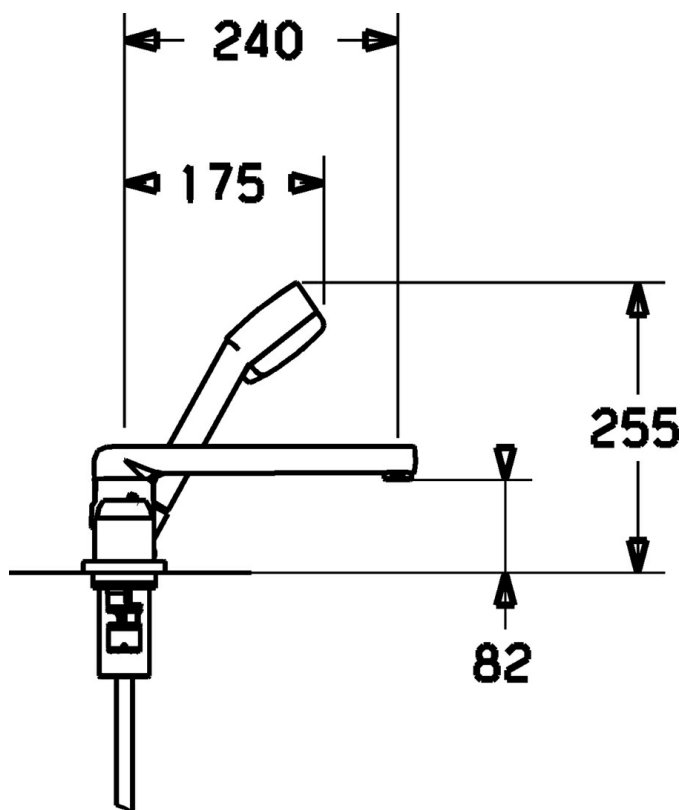
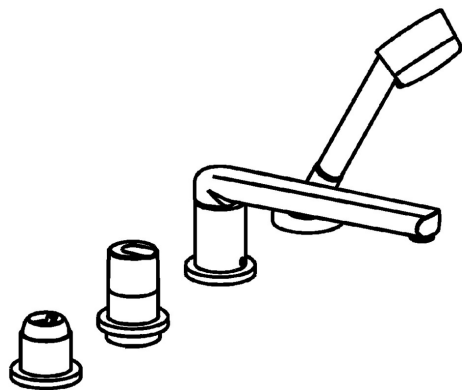


EAN: 4015474105683
static.hansa.com/43122030



- Bathtub & Shower
- Single-lever
- Rim mounted
- Chrome
- Standard aerator
- Single operating lever/handle, Hot/Cold symbols
- Non-return valve(s)



Technical data

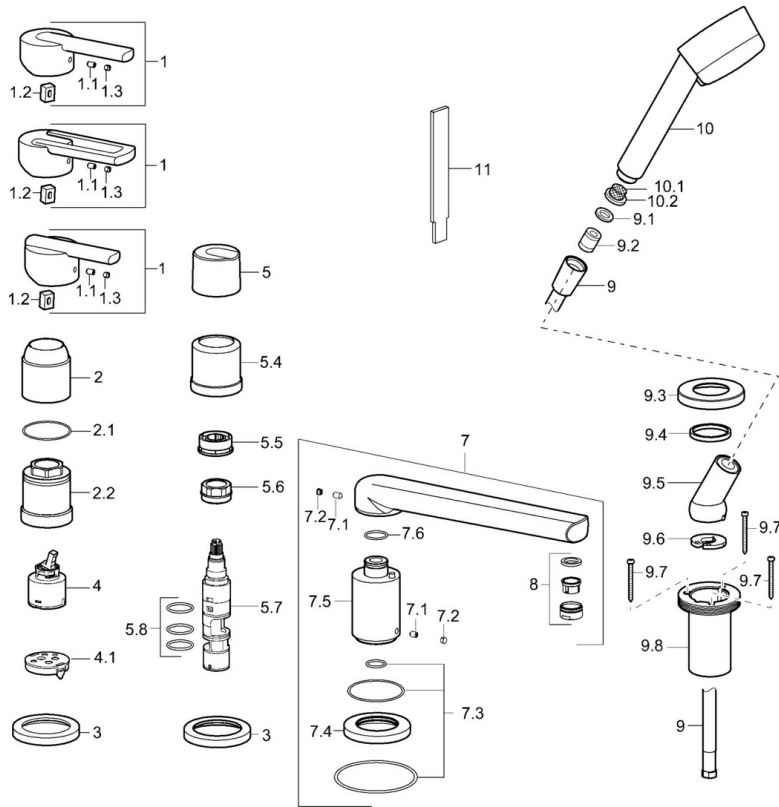
Technical properties

Hot water supply	max. +80°C
Working pressure	0.5-10 bar
Backflow prevention (EN1717)	EB

Regulations

EN standard	EN 817
-------------	---------------

Spare parts



SP43122030

	Name	Code
1	Lever Discontinued	43890005
1	Lever Discontinued	43880003
1	Lever Discontinued	59913774
1.1	Screw, M5x8, SW2.5	59904755
1.2	Bushing	59904778
1.3	Symbol plug Grey	59912112
2	Covering cap Discontinued	59912826
2.2	Nut, M52x1, SW34 Discontinued	59912825
3	Cover flange Discontinued	59912827
4	Cartridge, 4.0 Classic	59912791
4.1	Adapter, d 40 mm Discontinued	59912828
5	Handle Discontinued	59912807
5.4	Covering cap	59912824
5.5	Flow limiter	59911897
5.6	Eye screw, M32x1.5	59911898
5.7	Diverter	59912269
5.8	O-ring kit, d 24x2	59911835
7	Spout, L=240 Discontinued	59912829
7.1	Screw, M6x9.5	59901609
7.2	Cover plug	59911840
7.3	Sealing kit	59912276
7.4	Cover flange	59912278
8	Aerator, M24x1 D	59911829
9	Shower hose, L=1750, G1/2-M12x1	59912281
9.1	Gasket ring, d 21x12x2	59912304
9.2	Non-return valve	59905714
9.3	Cover flange, M70x1	59912287
9.4	Bearing ring	59912286
9.5	Holder	59912282
9.6	Disk	59912337
9.7	Screw, M4x45	59912291
9.8	Passing-through bushing	59912290
10	Hand shower Discontinued	51170200
10.1	Hose coupling, G1/2 Discontinued	59912237
10.2	Strainer	59906859
11	Tool Discontinued	59912277
N.I.	Raising kit, L=30 Discontinued	59912879
N.I.	Raising kit, 30 mm Discontinued	59912909