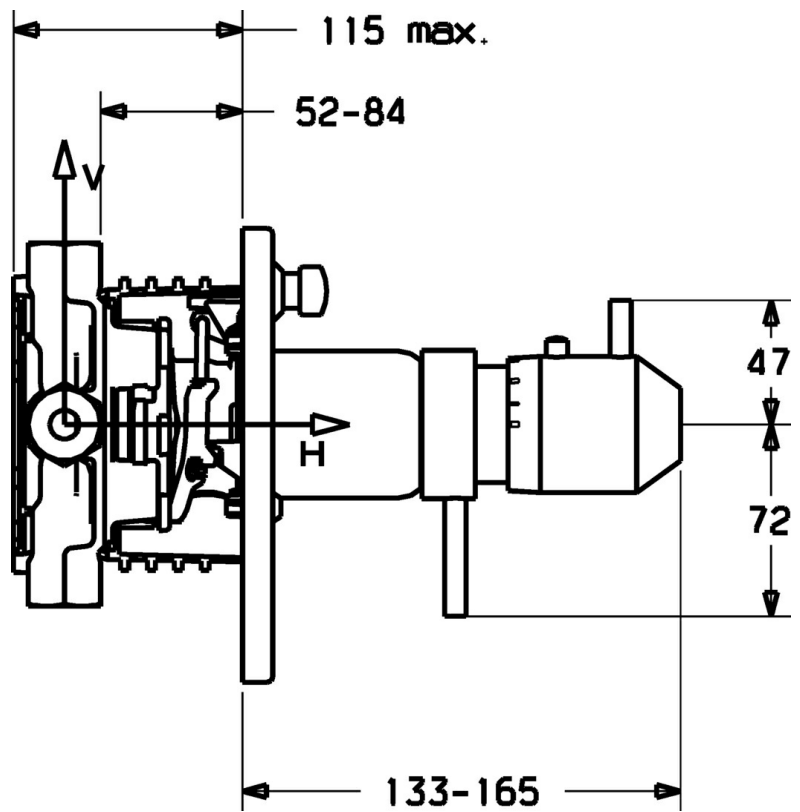


EAN: 4015474114159  
[static.hansa.com/4282904196](https://static.hansa.com/4282904196)



- Bath tub & Shower
- Thermostatic
- Concealed wall mounting
- Thermostatic cartridge for automatic temperature control, Non-return valve(s)



## Technical data

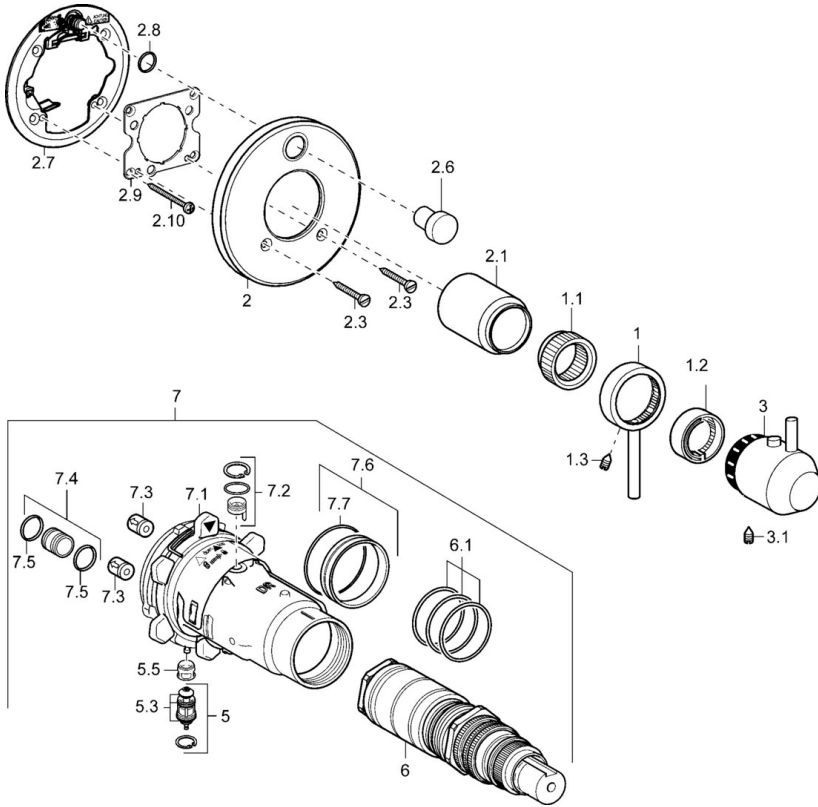
### Technical properties

Hot water supply	<b>max. +80°C</b>
Working pressure	<b>1-10 bar</b>
Backflow prevention (EN1717)	<b>EB</b>

### Regulations

EN standard	<b>EN 1111</b>
-------------	----------------

## Spare parts



### SP4282904196

	Name	Code
1	Lever Discontinued	5991301896
1.1	Adapter	59912894
1.2	Retaining ring Discontinued	5991289396
1.3	Screw, M6x9.5	59901609
2	Cover flange Discontinued	5991301396
2.1	Covering cap Discontinued	5991301696
2.3	Screw, M5x18, SW 3 Discontinued	5991301596
2.6	Push button Stainless steel Discontinued	5991301796
2.7	Fixing part	59912889
2.8	O-ring, d 7.65x1.78	59902337
2.9	Fixing plate	59913034
2.10	Screw, M4.5x80	59912890
3	Handle Discontinued	5991301996
3.1	Screw, M6x16, SW2.5	59911727
5	Diverter	59912985
5.3	Sealing kit Discontinued	59912997
5.5	Seat	59912229
6	Thermostatic cartridge, 1/2" Varox	59912843
6.1	O-ring, d 26x2	59911081
7	Functional unit Discontinued	59912905
7	Functional unit, H/C reversed Discontinued	59912979
7.1	Blind nut	59912984
7.2	Back-pressure valve	59912990
7.3	Non-return valve	59905714
7.4	Connection nipple, (2014-)	59913885
7.5	O-ring, d 14x2	59912982
7.6	Ring	59912989
7.7	O-ring, 50.52x1.78	59906841
N.I.	Raising kit, 20 mm	59912754
N.I.	Rebound pin	59912005