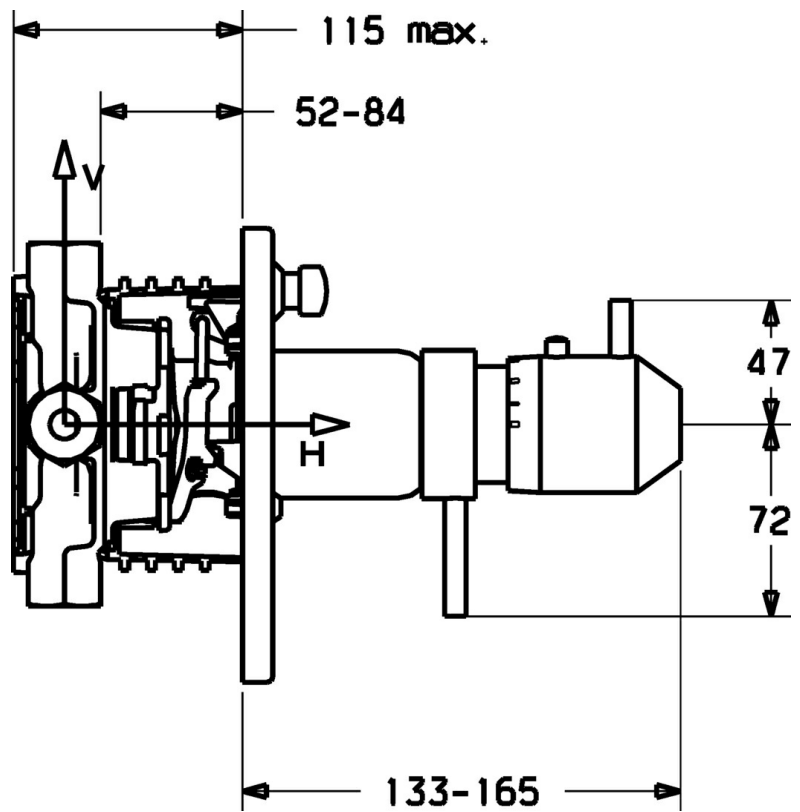


EAN: 4015474114166
static.hansa.com/4282304196



- Bath tub & Shower
- Thermostatic
- Concealed wall mounting
- Thermostatic cartridge for automatic temperature control, Non-return valve(s)



Technical data

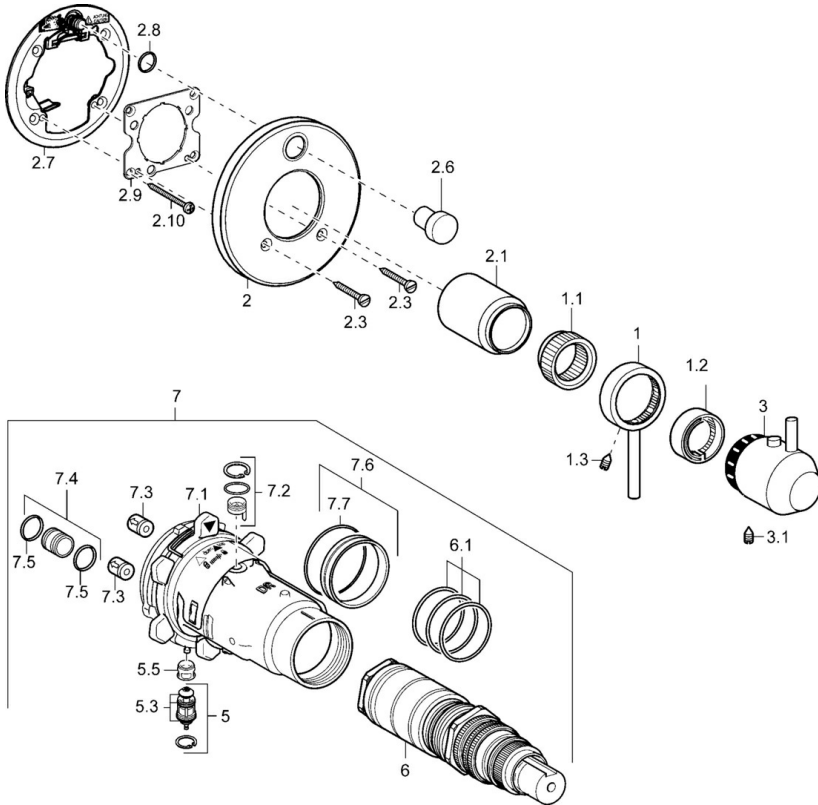
Technical properties

| | |
|------------------------------|-------------------|
| Hot water supply | max. +80°C |
| Working pressure | 1-10 bar |
| Backflow prevention (EN1717) | EB |

Regulations

| | |
|-------------|----------------|
| EN standard | EN 1111 |
|-------------|----------------|

Spare parts



SP4282304196

| | Name | Code |
|------|--|------------|
| 1 | Lever Discontinued | 5991301896 |
| 1.1 | Adapter | 59912894 |
| 1.2 | Retaining ring Discontinued | 5991289396 |
| 1.3 | Screw, M6x9.5 | 59901609 |
| 2 | Cover flange Discontinued | 5991301396 |
| 2.1 | Covering cap Discontinued | 5991301696 |
| 2.3 | Screw, M5x18, SW 3 Discontinued | 5991301596 |
| 2.6 | Push button Stainless steel Discontinued | 5991301796 |
| 2.7 | Fixing part | 59912889 |
| 2.8 | O-ring, d 7.65x1.78 | 59902337 |
| 2.9 | Fixing plate | 59913034 |
| 2.10 | Screw, M4.5x80 | 59912890 |
| 3 | Handle Discontinued | 5991301996 |
| 3.1 | Screw, M6x16, SW2.5 | 59911727 |
| 5 | Diverter | 59912985 |
| 5.3 | Sealing kit Discontinued | 59912997 |
| 5.5 | Seat | 59912229 |
| 6 | Thermostatic cartridge, 1/2" Varox | 59912843 |
| 6.1 | O-ring, d 26x2 | 59911081 |
| 7 | Functional unit Discontinued | 59912906 |
| 7 | Functional unit, H/C reversed Discontinued | 59912979 |
| 7.1 | Blind nut | 59912984 |
| 7.2 | Back-pressure valve | 59912990 |
| 7.3 | Non-return valve | 59905714 |
| 7.4 | Connection nipple, (2014-) | 59913885 |
| 7.5 | O-ring, d 14x2 | 59912982 |
| 7.6 | Ring | 59912989 |
| 7.7 | O-ring, 50.52x1.78 | 59906841 |
| N.I. | Raising kit, 20 mm | 59912754 |
| N.I. | Rebound pin | 59912005 |