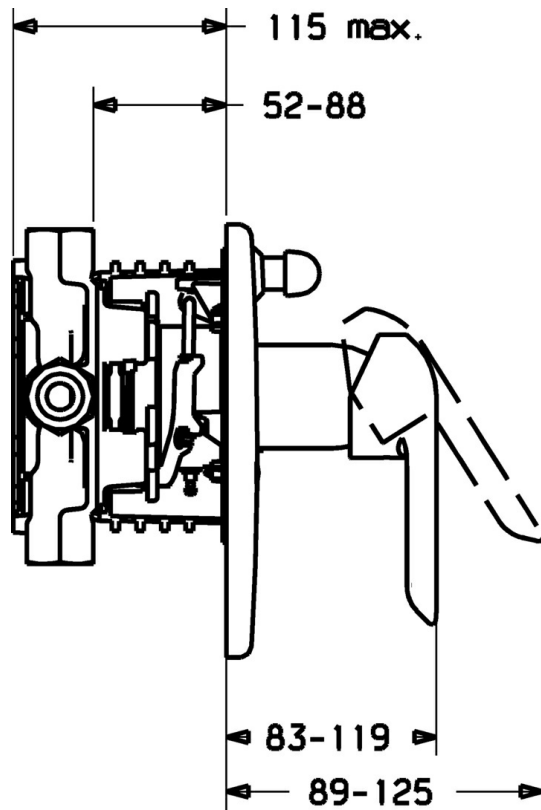
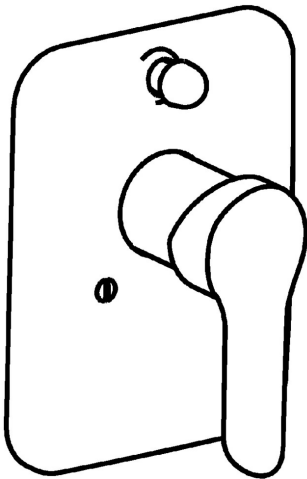


EAN: 4015474112377
static.hansa.com/42609043



- Bathtub & Shower
- Single-lever, Trim Kit
- Concealed wall mounting
- Chrome
- Single operating lever/handle, Hot/Cold symbols
- Pull operated diverter
- Soft edge rosette



Technical data

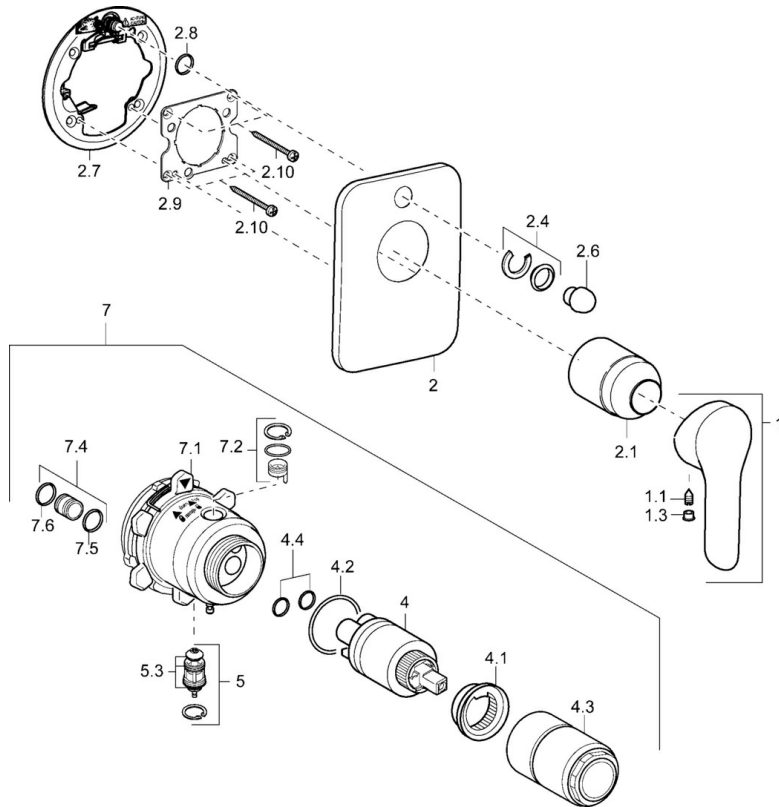
Technical properties

Hot water supply	max. +80°C
Working pressure	0.5-10 bar

Regulations

EN standard	EN 817
-------------	---------------

Spare parts



SP42609043

	Name	Code
1	Lever	59914629
1	Lever	59913903
1.1	Screw, M5x8, SW2.5	59904755
1.3	Symbol plug Grey	59912112
2	Cover plate Discontinued	59912932
2.1	Cover sleeve	59912511
2.3	Screw, M5x25	59912881
2.4	Flow limiting cap	59912924
2.6	Push button Discontinued	59912931
2.7	Supporting plate	59913048
2.8	O-ring, d 7.65x1.78	59902337
2.9	Fixing plate	59913034
2.10	Screw, M4.5x80	59912890
4	Cartridge, 3.5 Eco	59912324
4.1	Temperature adjustment limiter	59912325
4.2	O-ring, d 28.24x2.62 Discontinued	59912590
4.3	Screw sleeve, M38x1	59912115
4.4	O-ring, d 10.10x1.60 Discontinued	59905072
5	Diverter	59912985
5.3	Sealing kit Discontinued	59912997
7	Functional unit, H/C reversed	59912978
7	Functional unit, 3.5 Discontinued	59912937
7.1	Blind nut	59912984
7.4	Connection nipple, (2014-)	59913885
7.5	O-ring, d 14x2	59912982
N.I.	Raising kit, 20 mm	59912754