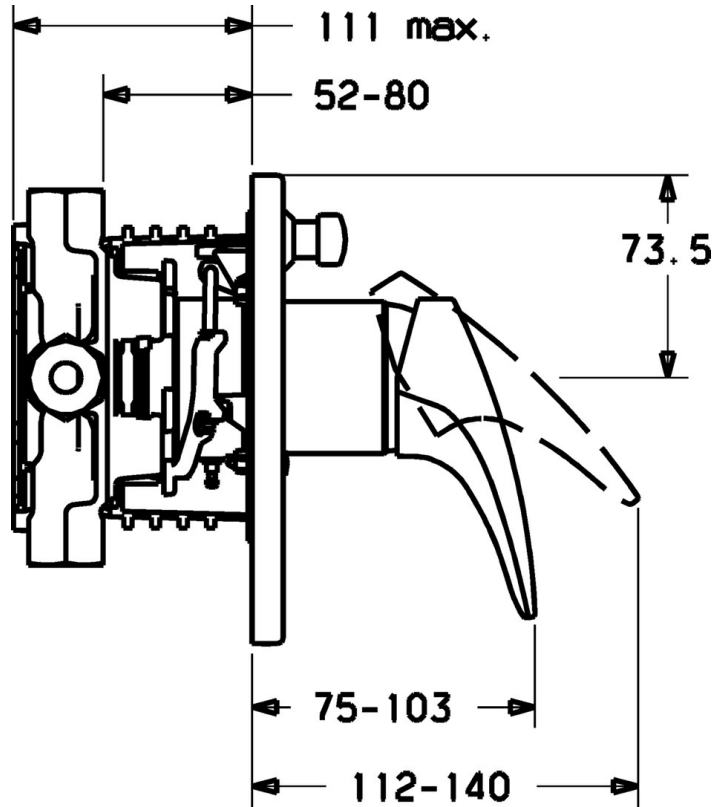
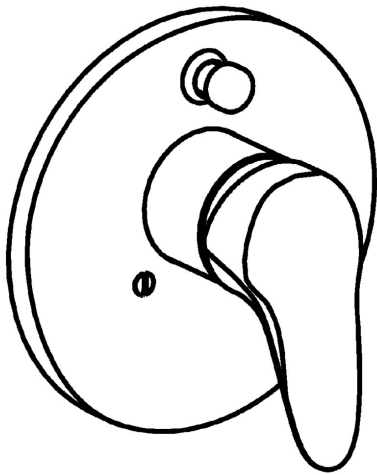


EAN: 4015474114333  
[static.hansa.com/4184304382](https://static.hansa.com/4184304382)

- Bathtub & Shower
- Single-lever, Trim Kit
- Concealed wall mounting
- White
- Single operating lever/handle, Hot/Cold symbols
- Limitation option for maximum temperature and flow-rate, Adjustable hot water stop (included, retrofittable)
- $\phi$  48 mm ceramic eco cartridge for flow and temperature control, Non-return valve(s)
- Round rosette, Cover plate fixed with screws



## Technical data

### Technical properties

Hot water supply	<b>max. +80°C</b>
Working pressure	<b>0.5-10 bar</b>
Backflow prevention (EN1717)	<b>LB</b>

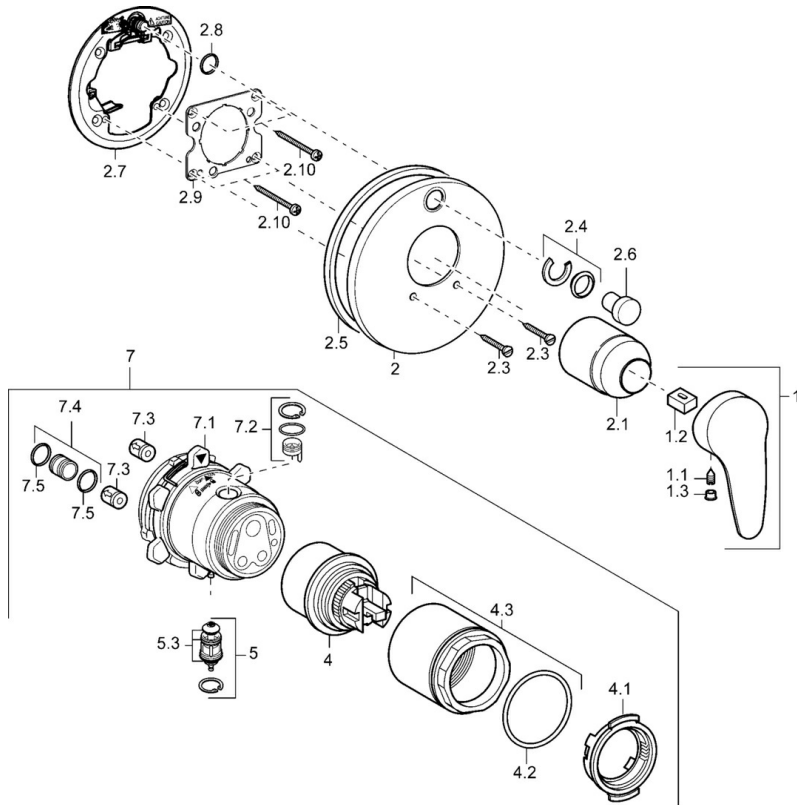
### Regulations

EN standard	<b>EN 817</b>
-------------	---------------

### Approvals and Declarations

Declaration of conformity	<b>DoC</b>
---------------------------	------------

## Spare parts



### SP41849043

	Name	Code
1	Lever, L=87 mm	59914195
1.1	Screw, M5x8, SW2.5	59904755
1.2	Bushing	59904778
1.3	Symbol plug Grey	59912112
2	Cover flange	59912929
2.1	Covering cap	59904820
2.3	Screw, M5x25	59912881
2.4	Flow limiting cap	59912924
2.5	Rubber gasket	59913045
2.6	Snap	59912926
2.7	Fixing part	59912889
2.8	O-ring, d 7.65x1.78	59902337
2.9	Fixing plate	59913034
2.10	Screw, M4.5x80	59912890
4	Cartridge, 4.8 eco	59904601
4.1	Hot water limiter	59904759
4.2	O-ring, 50.52x1.78	59906841
4.3	Eye screw, M50x1, SW45	59912980
5	Diverter	59912985
5.3	Sealing kit Discontinued	59912997
7	Functional unit, 4.8 Discontinued	59912898
7	Functional unit Discontinued	59912907
7.1	Blind nut	59912984
7.2	Valve	59912986
7.4	Connection nipple, (2014-)	59913885
7.5	O-ring, d 14x2	59912982
N.I.	Raising kit, 20 mm	59912754