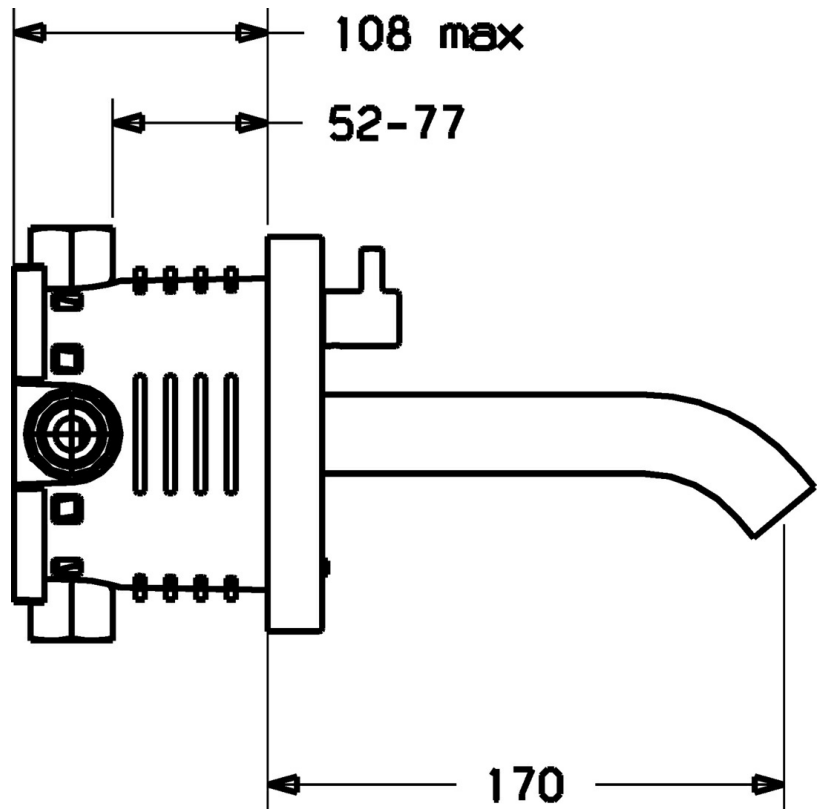
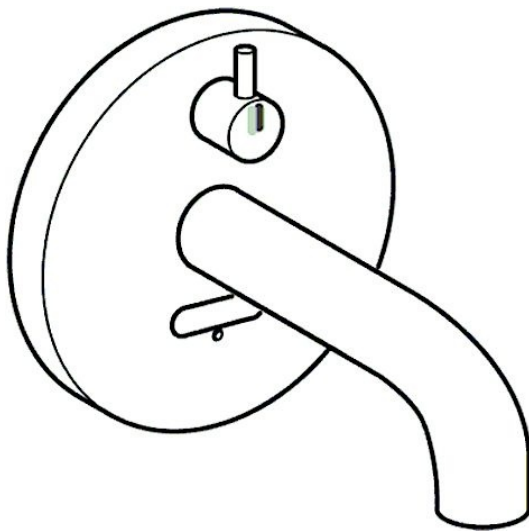


EAN: 4015474142275
static.hansa.com/41812111



- Washbasin
- Battery-operated
- Concealed wall mounting
- Chrome
- Hidden aerator
- Temperature control handle
- Mixing valve for manual temperature control, Litter filter(s), Non-return valve(s)
- Low battery indicator, Infrared sensor, Solenoid valve
- Software settings adjustable via buttons
- B-Lock mounting system



Technical data

Technical properties

Hot water supply	max. +70°C
Working pressure	1-10 bar
Length / Height	170 mm
Backflow prevention (EN1717)	EB
Material	Brass

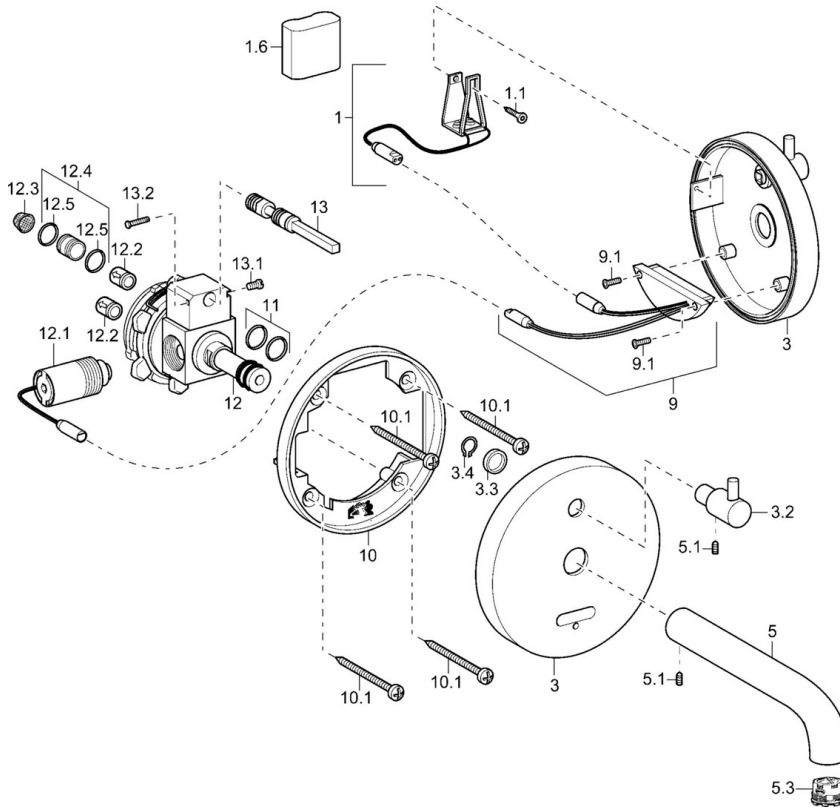
Electronic properties

Battery	Lithium DL223 6 V
---------	--------------------------

Regulations

EN standard	EN 15091
-------------	-----------------

Spare parts



SP41812101

	Name	Code
1	Battery holder	59913143
1.6	Lithium battery, DL223A / CR-P2	59912443
3	Cover flange, d 130 mm Discontinued	59913146
3.2	Temperature control handle	59913144
5	Spout, L=220 Discontinued	59913149
5	Spout, L=170 Discontinued	59913148
5	Spout, L=120	59913147
5.1	Screw, M5x6, SW2.5	59912617
5.3	Aerator, M21.5x1	59913128
9	Electronics package, (4181)	59914771
10	Fixing part	59913152
10.1	Screw, M4.5x80	59912890
11	O-ring, d 14.5x2/13x1.9	59913153
12	Support piece, 16x1.5 SW14	59913154
12.1	Solenoid valve	59912240
12.2	Non-return valve	59905714
12.3	Litter filter	59911684
12.4	Connection nipple, (2014-)	59913885
12.5	O-ring, d 14x2	59912982
13	Temperature regulator	59913155
N.I.	Key for aerator, M21.5x1	59913133
N.I.	Functional unit	59914723
N.I.	Aerator, M21.5x1	59913598