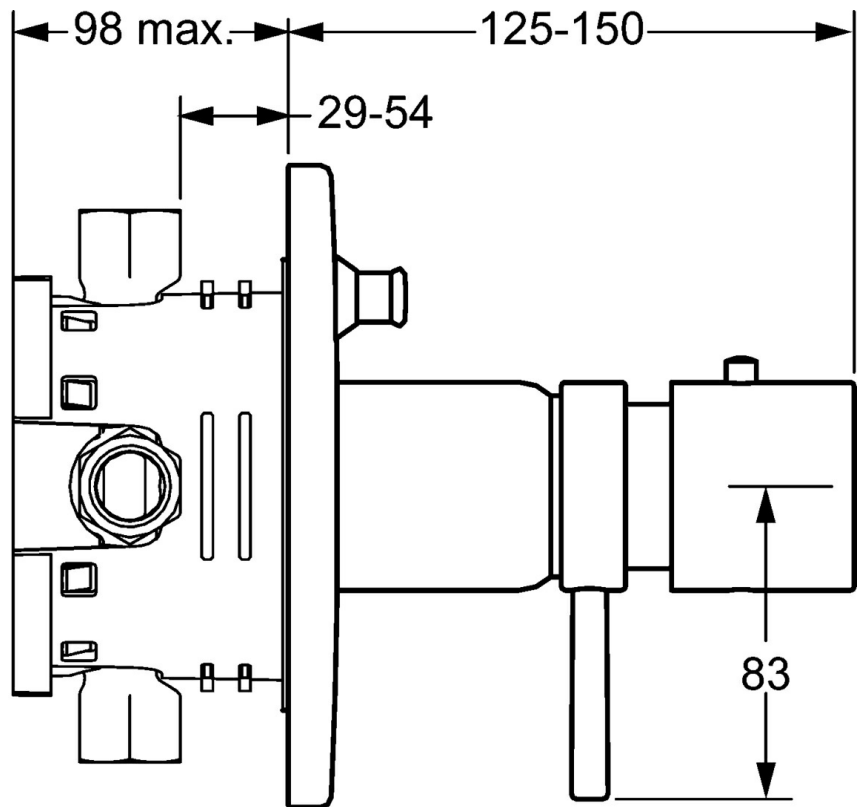


EAN: 4015474271678  
[static.hansa.com/41149552](https://static.hansa.com/41149552)



- Bathtub & Shower
- Trim Kit, Single-lever
- Concealed wall mounting
- Chrome
- Temperature control handle, Flow control handle
- Thermostatic cartridge for automatic temperature control



## Technical data

---

### Flow properties

---

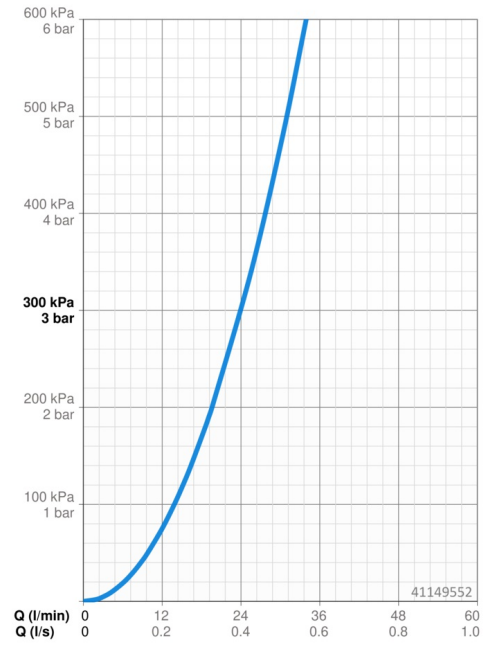
Flow-rate at 3 bar **24.0 l/min**

### Technical properties

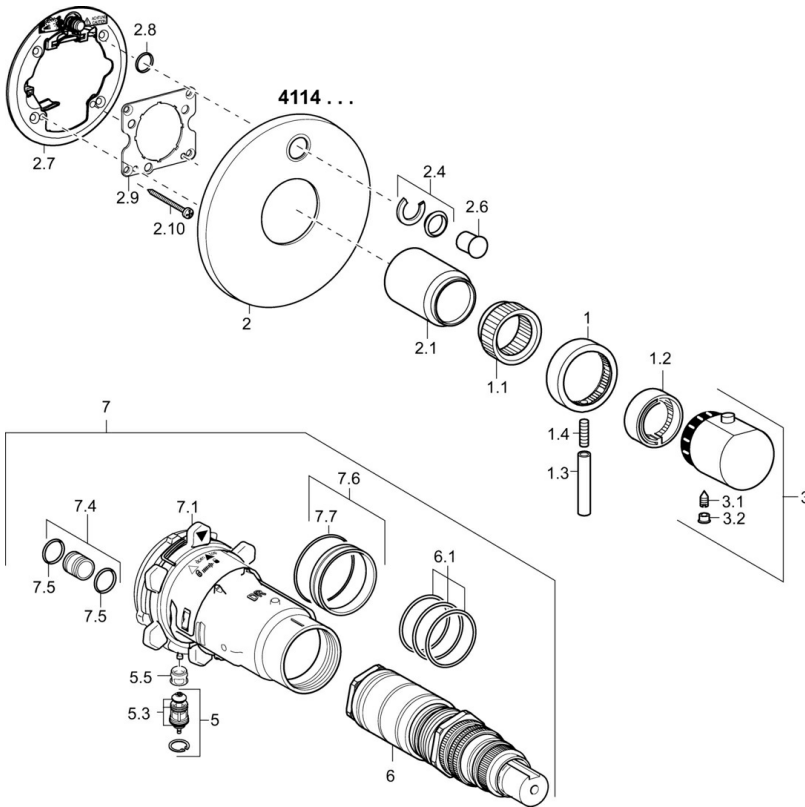
---

Hot water supply **max. +80°C**

Working pressure **0.5-10 bar**



## Spare parts



### SP41149552

	Name	Code
1	Flow control handle	59912130
1.1	Adapter	59912894
1.2	Temperature adjustment limiter	59912893
1.3	Lever, M6, 56 mm	59914055
1.4	Screw, M6x20	59911228
2	Cover plate, d 170 mm Discontinued	59913077
2.1	Covering cap Discontinued	59912896
2.4	Flow limiting cap	59912924
2.6	Push button	59913656
2.7	Fixing part	59912889
2.8	O-ring, d 7.65x1.78	59902337
2.9	Fixing plate	59913034
2.10	Screw, M4.5x80	59912890
3	Temperature control handle, (2011-)	59913497
3.1	Screw, M6x9.5	59901609
3.2	Cover plug	59911840
3.3	Rebound pin	59912005
5	Diverter	59912985
5.3	Sealing kit Discontinued	59912997
5.5	Seat	59912229
6	Thermostatic cartridge, 1/2" Varox	59912843
6.1	O-ring, d 26x2	59911081
7	Functional unit Discontinued	59912905
7	Functional unit, H/C reversed Discontinued	59912979
7.1	Blind nut	59912984
7.4	Connection nipple, (2014-)	59913885
7.5	O-ring, d 14x2	59912982
7.6	Ring	59912989
7.7	O-ring, 50.52x1.78	59906841
N.I.	Raising kit, 20 mm	59912754