

EAN: 4015474186200
static.hansa.com/41129578

- Bathtub & Shower
- Trim Kit
- Concealed wall mounting
- Chrome
- Temperature control handle
- Non-return valve(s), Thermostatic cartridge for automatic temperature control

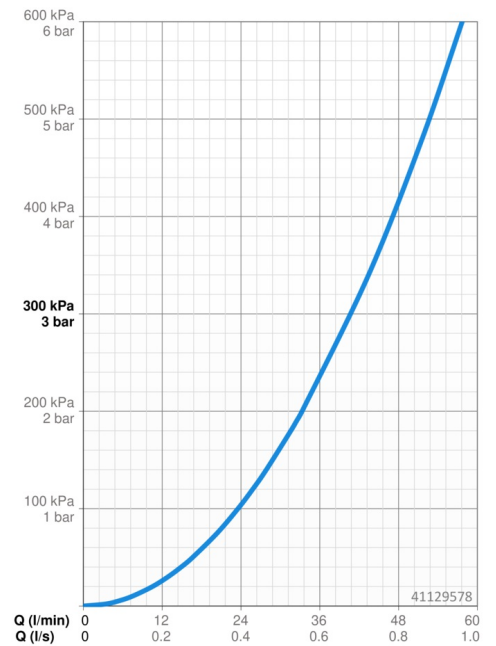
Technical data

Flow properties

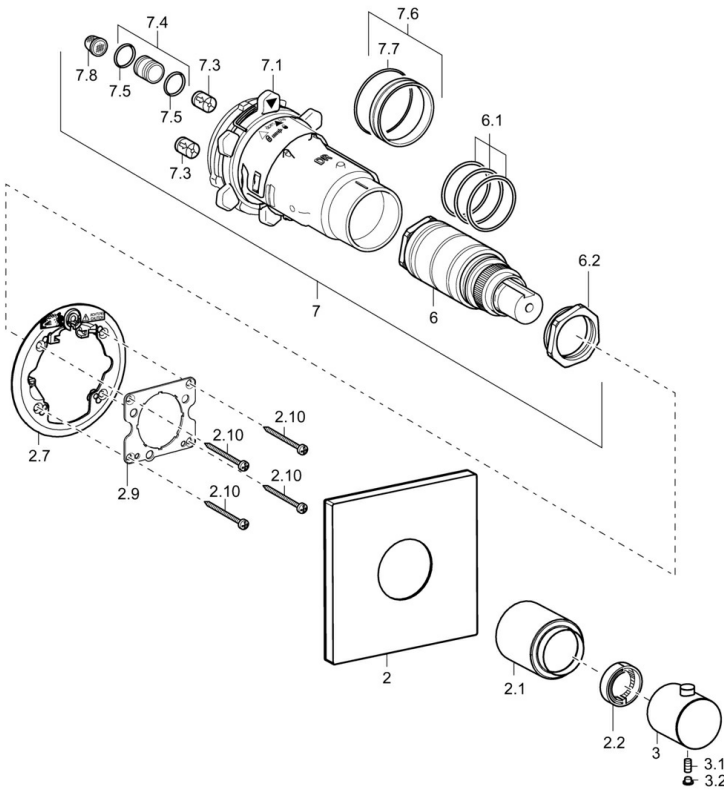
Flow-rate at 3 bar **40.8 l/min**

Technical properties

Hot water supply **max. +80°C**
Working pressure **0.5-10 bar**
Backflow prevention (EN1717) **EB**



Spare parts



SP41129573

	Name	Code
2	Cover flange, 150x150 mm	59913382
2.1	Covering cap, (2011-) Discontinued	59913846
2.1	Covering cap Discontinued	59913381
2.2	Temperature adjustment limiter	59911660
2.7	Fixing part	59912888
2.9	Fixing plate	59913034
2.10	Screw, M4.5x80	59912890
3	Temperature control handle	59913342
3	Temperature control handle, (2011-)	59913497
3.1	Screw, M6x6	59912330
3.2	Cover plug	59911840
6	Thermostatic cartridge, H/C reversed	59911527
6	Thermostatic cartridge	59911525
6.1	O-ring, d 26x2	59911081
6.2	Eye screw, M34x1, AF36	59912988
7	Functional unit Discontinued	59912903
7.1	Blind nut	59912984
7.3	Non-return valve	59905714
7.4	Connection nipple, (2014-)	59913885
7.5	O-ring, d 14x2	59912982
7.6	Ring	59912989
7.7	O-ring, 50.52x1.78	59906841
7.8	Strainer	59913126
N.I.	Thermostatic cartridge	59913311
N.I.	Thermostatic cartridge, H/C reversed	59913463
N.I.	Rebound pin	59912005
N.I.	Raising kit, 20 mm	59912754
N.I.	Retaining ring	59912892