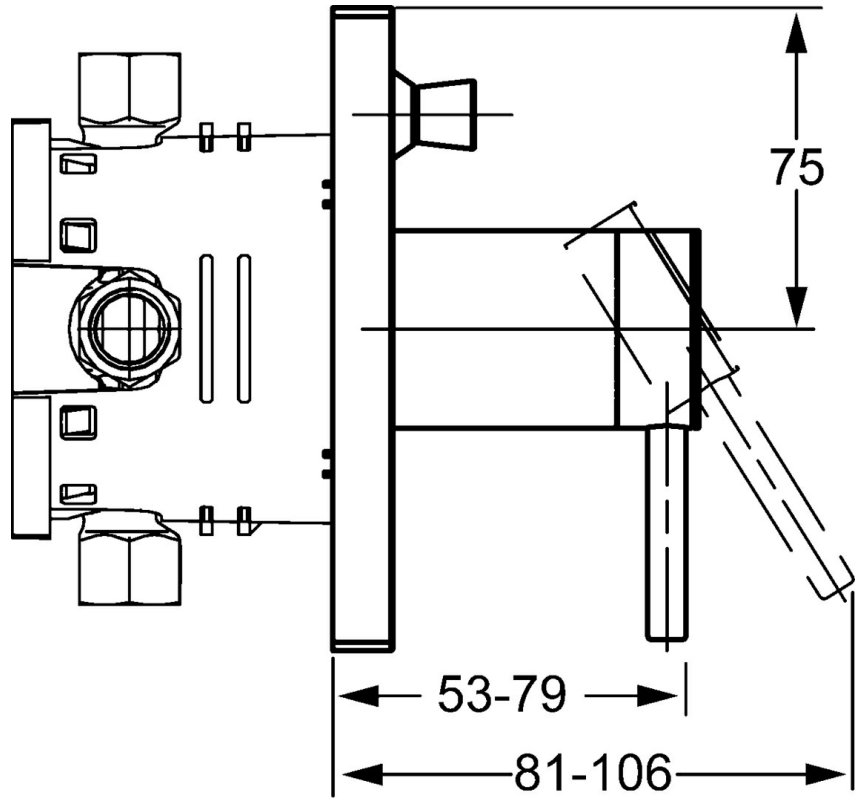
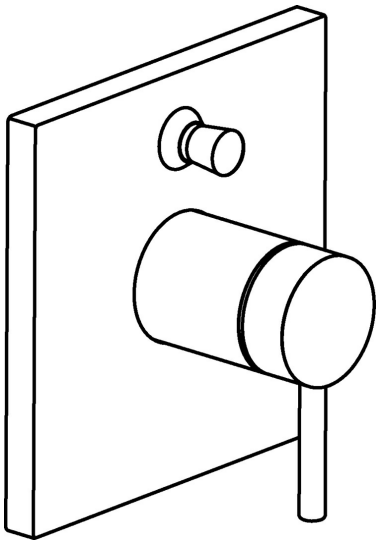


EAN: 4015474173361  
[static.hansa.com/41119573](https://static.hansa.com/41119573)



- Bathtub & Shower
- Single-lever, Trim Kit
- Concealed wall mounting
- Chrome
- Single operating lever/handle, Hot/Cold symbols
- Square rosette



## Technical data

### Flow properties

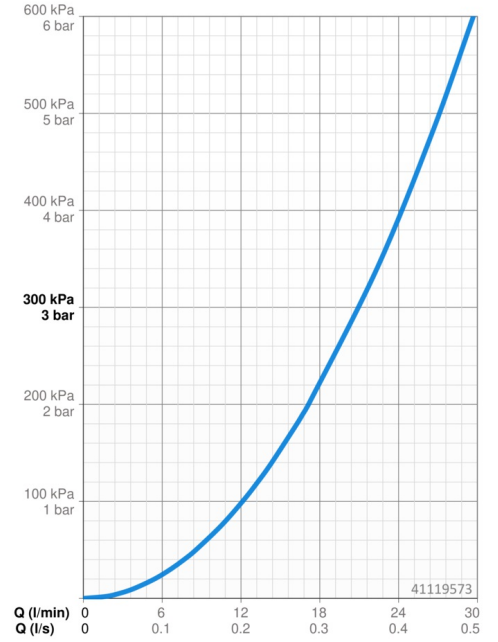
Flow-rate at 3 bar **21.0 / 21.0 l/min**

### Technical properties

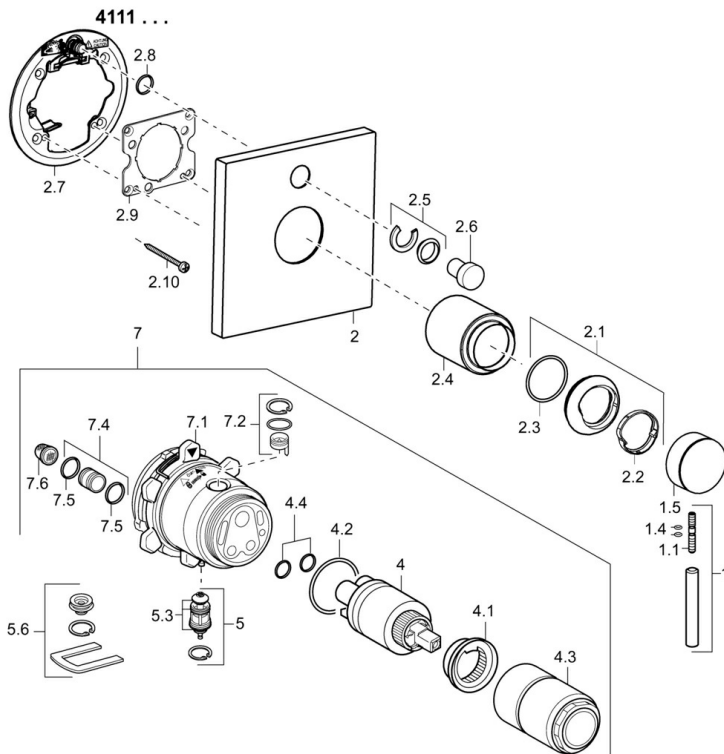
Hot water supply **max. +80°C**  
 Working pressure **0.5-10 bar**

### Regulations

EN standard **EN 817**



## Spare parts



### SP41119573

	Name	Code
1	Lever, L=50, M5 IG	59913335
1.1	Screw, M5x35	59913299
1.4	O-ring, d 3x1.5	59913100
1.5	Cap	59913332
1.5	Cap Black Discontinued	59913333
1.5	Cap White Discontinued	59913334
2	Cover plate, 150x150	59913377
2.1	Covering cap	59913364
2.2	Bearing ring	59913363
2.3	O-ring, d 38x2	59913212
2.4	Cover sleeve	59913375
2.5	Flow limiting cap	59912924
2.6	Push button Discontinued	59912925
2.7	Supporting plate	59913378
2.8	O-ring, d 7.65x1.78	59902337
2.9	Fixing plate	59913034
2.10	Screw, M4.5x80	59912890
4	Cartridge, 3.5 Classic	59913075
4	Cartridge, 3.5 Eco	59912324
4.1	Temperature adjustment limiter	59912325
4.2	O-ring, d 28.24x2.62 Discontinued	59912590
4.3	Screw sleeve, M38x1	59912115
4.4	O-ring, d 10.10x1.60 Discontinued	59905072
5	Diverter	59912985
5.3	Sealing kit Discontinued	59912997
7	Functional unit, 3.5 (2011-) Discontinued	59913380
7	Functional unit, H/C reversed	59912978
7.1	Blind nut	59912984
7.4	Connection nipple Discontinued	59912983
7.5	O-ring, d 14x2	59912982
7.6	Strainer	59913126
N.I.	Raising kit, 20 mm	59912754