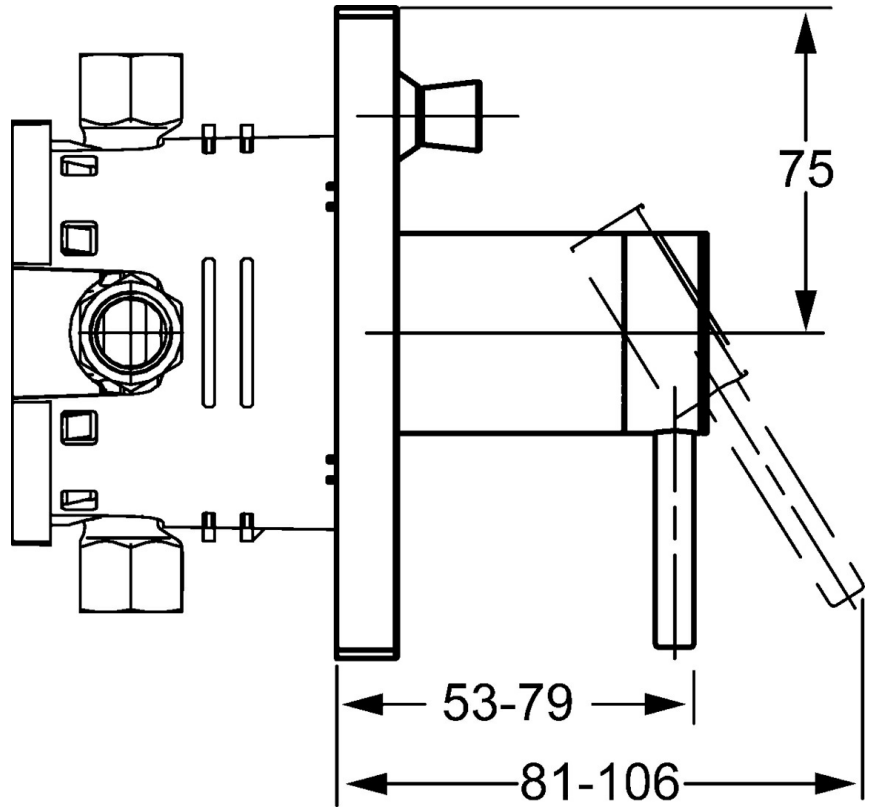
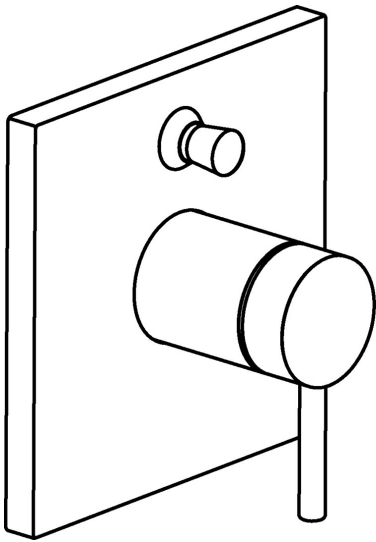


EAN: 4015474173484
static.hansa.com/41113573



- Bathtub & Shower
- Single-lever, Trim Kit
- Concealed wall mounting
- Chrome
- Single operating lever/handle, Hot/Cold symbols
- Non-return valve(s)
- Square rosette



Technical data

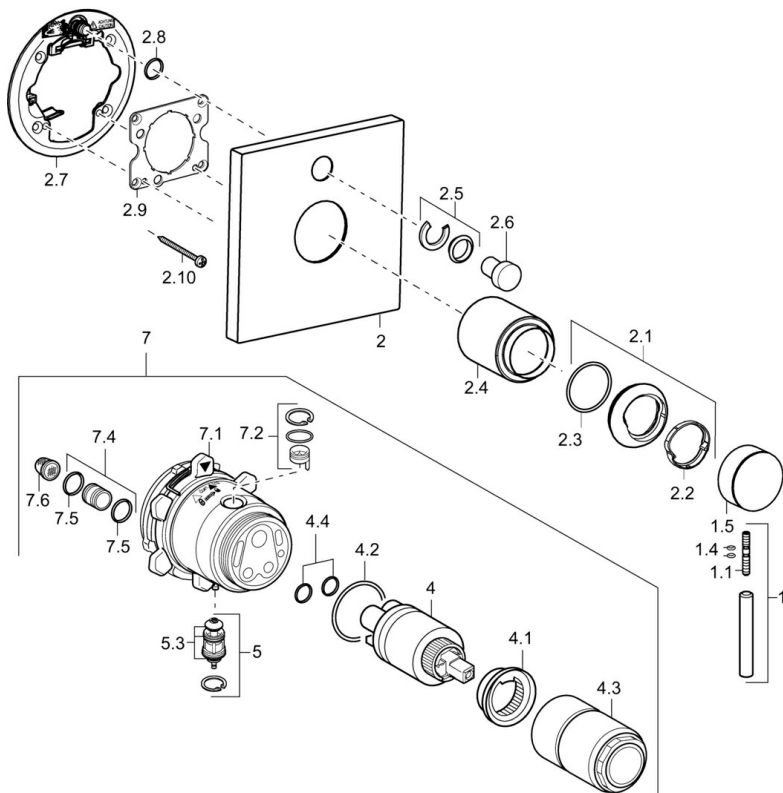
Technical properties

Hot water supply	max. +80°C
Working pressure	0.5-10 bar
Backflow prevention (EN1717)	LB

Regulations

EN standard	EN 817
-------------	---------------

Spare parts



SP41113573

	Name	Code
1	Lever, L=50, M5 IG	59913335
1.1	Screw, M5x35	59913299
1.4	O-ring, d 3x1.5	59913100
1.5	Cap	59913332
1.5	Cap White Discontinued	59913334
1.5	Cap Black Discontinued	59913333
2	Cover plate, 150x150	59913377
2.1	Covering cap	59913364
2.2	Bearing ring	59913363
2.3	O-ring, d 38x2	59913212
2.4	Cover sleeve	59913375
2.5	Flow limiting cap	59912924
2.6	Push button Discontinued	59912925
2.7	Supporting plate	59913378
2.8	O-ring, d 7.65x1.78	59902337
2.9	Fixing plate	59913034
2.10	Screw, M4.5x80	59912890
4	Cartridge, 3.5 Eco	59912324
4	Cartridge, 3.5 Classic	59913075
4.1	Temperature adjustment limiter	59912325
4.2	O-ring, d 28.24x2.62 Discontinued	59912590
4.3	Screw sleeve, M38x1	59912115
4.4	O-ring, d 10.10x1.60 Discontinued	59905072
5	Diverter	59912985
5.3	Sealing kit Discontinued	59912997
7	Functional unit, 3.5 Discontinued	59913379
7	Functional unit, H/C reversed	59912978
7.1	Blind nut	59912984
7.2	Valve	59912986
7.4	Connection nipple, (2014-)	59913885
7.5	O-ring, d 14x2	59912982
7.6	Strainer	59913126
N.I.	Raising kit, 20 mm	59912754