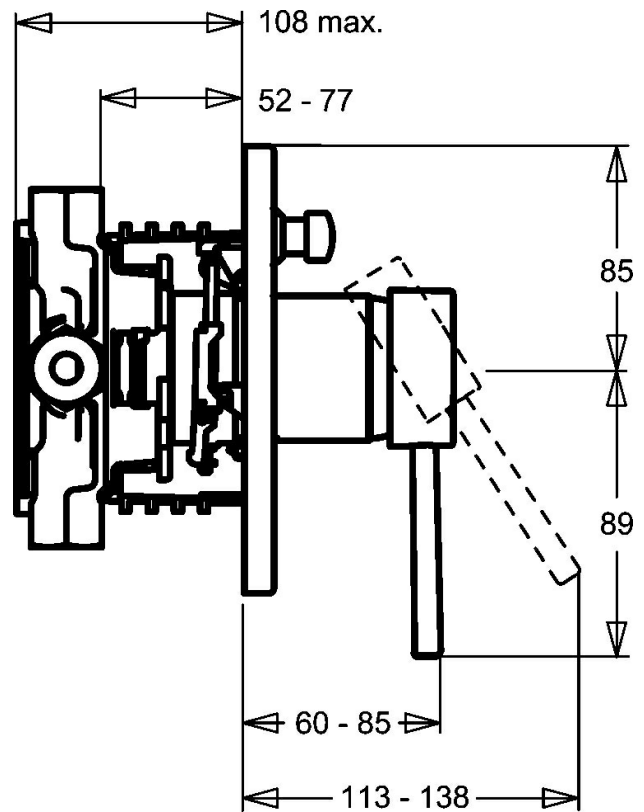


EAN: 4015474146907
static.hansa.com/41113541



- Bathtub & Shower
- Trim Kit, Single-lever
- Concealed wall mounting
- Chrome
- Non-return valve(s)

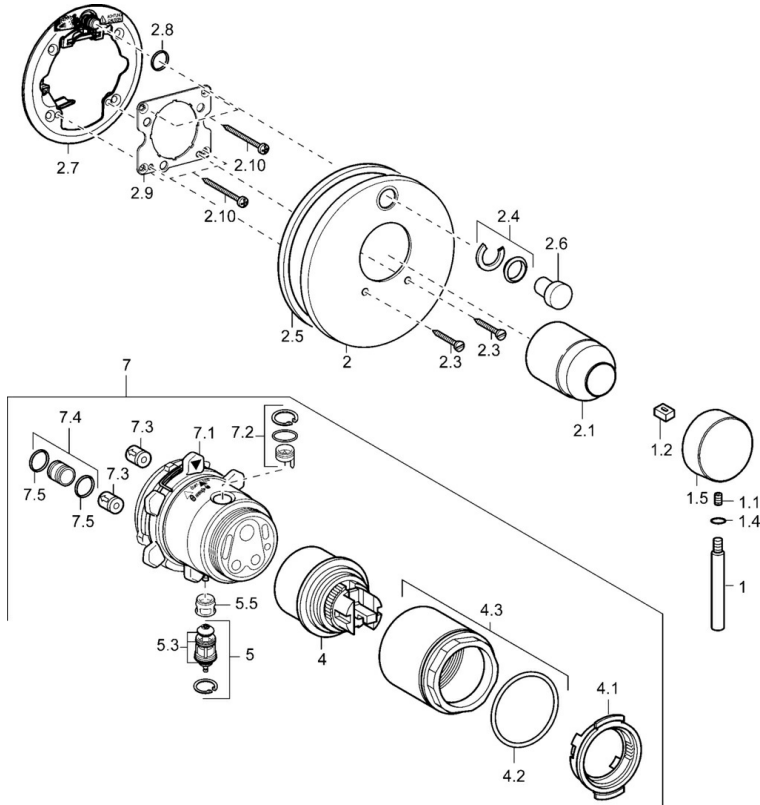


Technical data

Technical properties

Hot water supply	max. +80°C
Working pressure	0.5-10 bar
Backflow prevention (EN1717)	EB

Spare parts



SP41113041

	Name	Code
1	Lever, 80 mm Discontinued	59912122
1.1	Screw, M5x8, SW2.5	59904755
1.2	Bushing	59904778
1.4	O-ring, d 6x1	59912136
1.5	Covering cap Discontinued	59912143
2	Cover plate, d 170 mm Discontinued	59913077
2	Cover flange	59912929
2	Cover plate Discontinued	59912883
2.1	Covering cap	59904820
2.3	Screw, M5x25	59912881
2.4	Flow limiting cap	59912924
2.5	Rubber gasket	59913045
2.6	Snap	59912926
2.7	Fixing part	59912889
2.8	O-ring, d 7.65x1.78	59902337
2.9	Fixing plate	59913034
2.10	Screw, M4.5x80	59912890
4	Cartridge, 4.8 eco	59904601
4.1	Hot water limiter	59904759
4.2	O-ring, 50.52x1.78	59906841
4.3	Eye screw, M50x1, SW45	59912980
5	Diverter	59912985
5.3	Sealing kit Discontinued	59912997
5.5	Seat	59912229
7	Functional unit Discontinued	59912907
7	Functional unit, 4.8 Discontinued	59912899
7.1	Blind nut	59912984
7.2	Valve	59912986
7.3	Non-return valve	59905714
7.4	Connection nipple, (2014-)	59913885
7.5	O-ring, d 14x2	59912982
N.I.	Raising kit, 20 mm	59912754