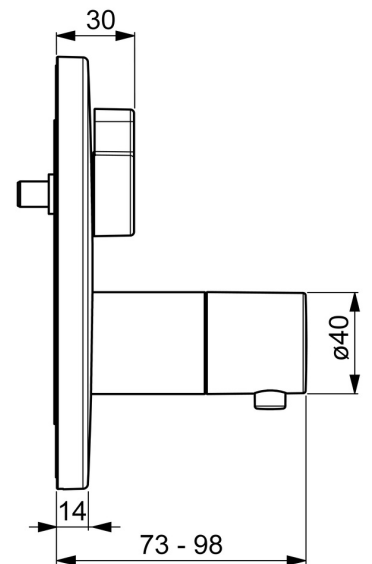
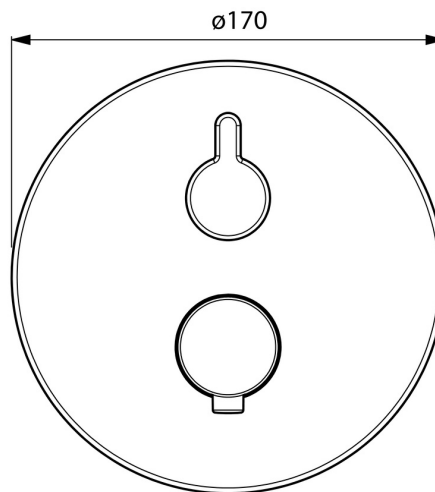
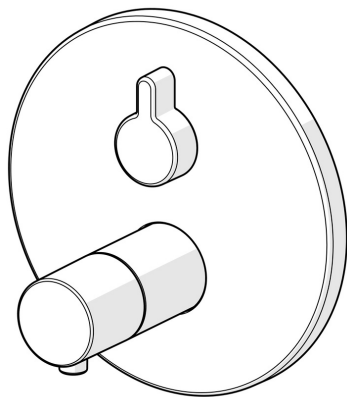


EAN: 4057304003899
static.hansa.com/40589083



- Bathtub & Shower
- Thermostatic, Trim Kit
- Concealed wall mounting
- Chrome
- Temperature control handle, Flow control handle
- Turn operated diverter
- Safety stop against scalding at 38°C, Adjustable hot water stop (included, retrofittable)
- Thermostatic cartridge for automatic temperature control, Non-return valve(s)
- Round rosette, Fastening of the function unit with screws



Technical data

Flow properties

Flow-rate at 3 bar **20.4 l/min**

Technical properties

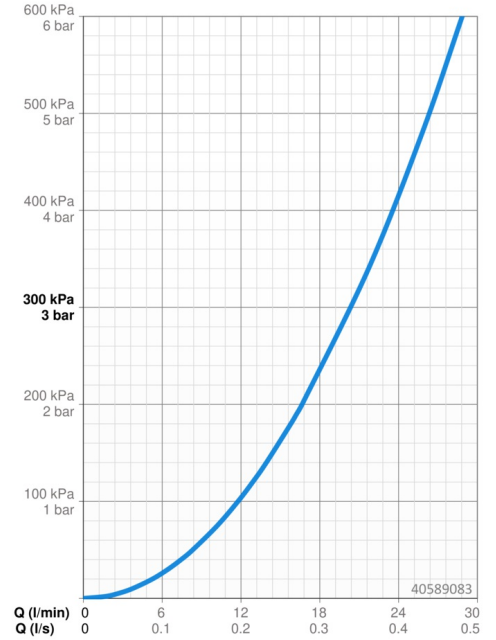
Hot water supply **max. +80°C**
 Working pressure **1-10 bar**
 Backflow prevention (EN1717) **EB**

Regulations

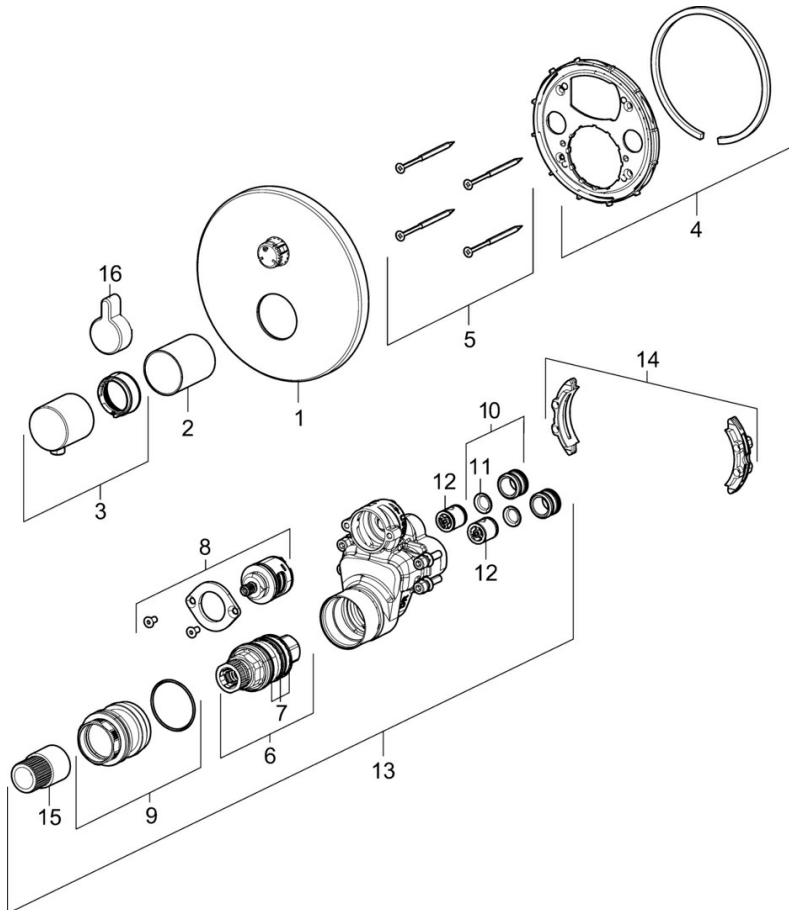
EN standard **EN 1111**

Approvals and Declarations

Declaration of conformity **DoC**



Spare parts



SP40589083

Name	Code
01 Cover flange, d 170 mm	59914537
02 Cover sleeve	59914534
03 Temperature control handle	59914206
04 Fixing sleeve Discontinued	59914531
05 Screw, M4.5x80	59912890
06 Thermostatic cartridge, 3,4	59914114
07 O-ring kit	59914113
08 Diverter	59914183
09 Fixing screw, M36x1.5, SW30 Discontinued	59914538
10 Connection nipple, (2014-)	59913885
11 O-ring, d 14x2	59912982
12 Non-return valve	59905714
13 Functional unit	59914535
14 Adapter	59914217
15 Spindle	59914354
16 Diverter knob	59914541