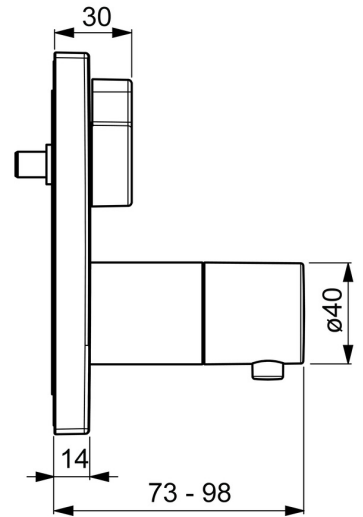
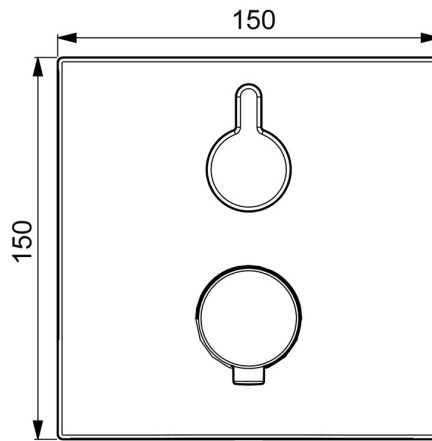
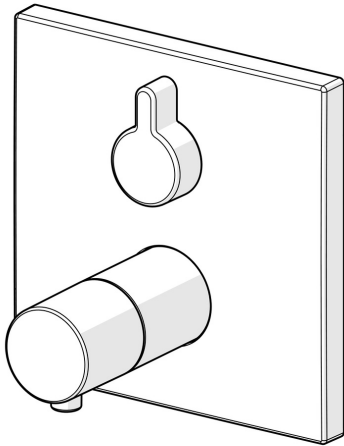


EAN: 4057304003882
static.hansa.com/40589073



- Bathtub & Shower
- Thermostatic, Trim Kit
- Concealed wall mounting
- Chrome
- Temperature control handle, Flow control handle
- Turn operated diverter
- Safety stop against scalding at 38°C, Adjustable hot water stop (included, retrofittable)
- Thermostatic cartridge for automatic temperature control, Non-return valve(s)
- Square rosette, Fastening of the function unit with screws



Technical data

Flow properties

Flow-rate at 3 bar **20.4 l/min**

Technical properties

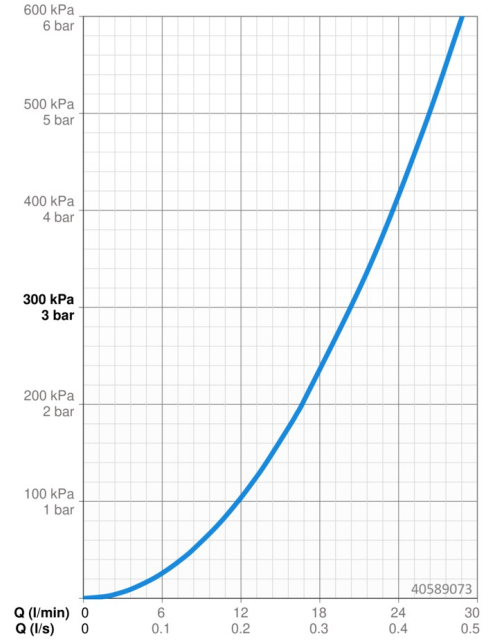
Hot water supply **max. +80°C**
 Working pressure **1-10 bar**
 Backflow prevention (EN1717) **EB**

Regulations

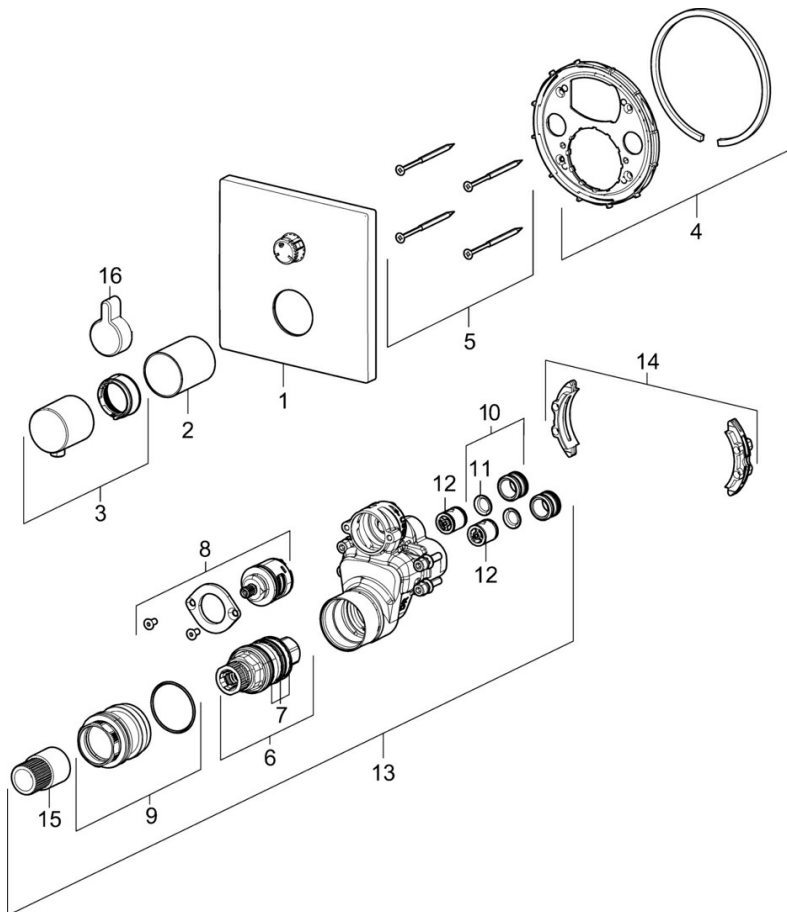
EN standard **EN 1111**

Approvals and Declarations

Declaration of conformity **DoC**



Spare parts



SP40589073

	Name	Code
01	Cover flange, 150x150 mm	59914536
02	Cover sleeve	59914534
03	Temperature control handle	59914206
04	Fixing sleeve Discontinued	59914531
05	Screw, M4.5x80	59912890
06	Thermostatic cartridge, 3,4	59914114
07	O-ring kit	59914113
08	Diverter	59914183
09	Fixing screw, M36x1.5, SW30 Discontinued	59914538
10	Connection nipple, (2014-)	59913885
11	O-ring, d 14x2	59912982
12	Non-return valve	59905714
13	Functional unit	59914535
14	Adapter	59914217
15	Spindle	59914354
16	Diverter knob	59914541